

- e** Bullard 41 Series Airline Filters can be used in conjunction with other compressor safeguards to supply cleaner air to airline respirators. They can also be used to supply drier, cleaner air to pneumatic tools and systems. The Bullard 41 Series Airline Filters can be used to remove water, oil, particulates, odors and organic vapors so that cleaner air is delivered to workers or equipment. **Bullard airline filters will NOT remove carbon monoxide and other toxic gases from the airline.**

Set-Up

1. Location:

Select a flat, stable location to mount the filter. Bolt the filter in position using the mounting legs. If wall mounting is desired, use the Model 41P6VWM, which is designed with a wall-mount bracket.

⚠ WARNING

Filter must be mounted securely on a suitable base to prevent tipping over during use. Failure to follow this instruction could result in death or serious injury.

2. Connection:

Connect compressor hose to the air inlet. Connect the respirator or pneumatic tool airline hose to the filter outlet. Tighten the connections to prevent leaks and possible pressure loss.

3. Assembly (41P6 only)

Install the regulator inlet assembly by screwing the 1" male nipple on the end of the assembly into the 1" female inlet port on the filter body. Use Teflon® tape or thread sealant on the male threads before installing. Tighten with a wrench.

4. Handle Kit:

An optional handle kit is available for the 41 Series Airline filters. The handle is mounted by removing the bolts from the 2 positions shown in **Figure 1**. The handle is inserted in the two openings and the threaded ends of the handle are bolted down from the underside, using the lock washers and nuts provided.

⚠ WARNING

When using a respirator, do not connect the filter to any air source unless you are certain it supplies breathable air. Failure to ensure breathable air source could result in death or serious injury.

Operation

1. Air Requirements

a. Air Source Monitoring:

Federal Law requires use of carbon monoxide and/or high temperature monitors or alarms when oil lubricated compressors are used as sources of breathing air. If only a high temperature alarm is used, you must frequently test the compressor air for carbon monoxide to ensure it meets the Grade D requirements discussed below.

The law also requires that breathing air hose couplings be incompatible with outlets for other gas systems in order to prevent accidental connection of a supplied air respirator to non-respirable gases or oxygen.

⚠ WARNING

The 41 Series Airline filters do not remove carbon monoxide and other toxic gases. Review and observe all pertinent federal and state safety regulations in conjunction with airline respirators. Failure to observe safety regulations or improper use of Bullard Airline Filters could result in death or serious injury.

b. Quality of Breathing Air:

Supplied breathing air passing through this filter to a respirator must meet at least the requirements for Type 1 gaseous air as described in the Compressed Gas Association Commodity Specification G7.1 (Grade D or higher), as specified by federal law 42 CFR, Part 84, Subpart J, 84.141(b). The Bullard airline filter does not remove carbon monoxide and other toxic gases from the air being supplied. The requirements for Grade D breathable air include:

• Oxygen	19.5 - 23.0%
• Hydrocarbons (condensed)	5 mg/m ³ max.
• Carbon Monoxide	10 ppm max.
• Carbon Dioxide	1000 ppm max.
• No toxic contaminants at levels which would make the air unsafe to breathe.	

Refer to the C.G.A. Commodity Specifications G7.1 for complete details. It is available from: Compressed Gas Association, 1235 Jefferson Davis Highway, Arlington, VA 22202.

c. Air Pressure:

The air pressure at the filter inlet should not exceed 100 psig (6.89 bar). Air will be released by the pressure relief valve when pressure within the filter exceeds 125 psig (8.6 bar). Air discharging from the filter can be controlled to meet specific air pressure requirements by using the pressure regulator adjustment knob. Refer to your respirator or pneumatic tool instruction manual to find the appropriate air pressures required for correct use of the equipment.

d. Temperature:

Air supplied to the filter should not exceed 140° F (60° C). Therefore, do not connect the filter directly to the compressor exhaust manifold.

2. Correct Operation Procedures

a. Drain accumulated water and oil from the filter tank as required by opening the petcock drain valve. Normally the tank will need to be drained at least once a day. In humid climates, or if large amounts of water and oil are present in the air supply, drain the filter tank more often.

b. Tighten the fasteners which secure the head to the filter tank. Over time, the fasteners may loosen which could cause a leak in the air system. (Recommended tightness is 20 ft. lbs.)

Refer to **Figure 2** on page 2 of these instructions for set-up and operation.



41P2/41P2E



41P6

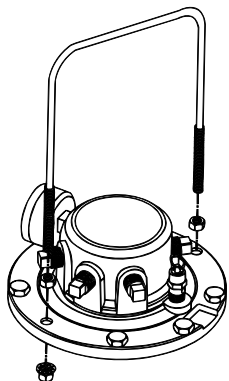


Figure 1

Cartridge Replacement

⚠ WARNING

Use only Bullard 41AF cartridges as replacements. Bullard Model 41 Series Airline Filters are designed to use only Bullard filter cartridges. Failure to use the correct filter cartridge could result in death or serious injury.

The frequency of filter cartridge replacement depends on the conditions of the particular air system in which the filter is installed. However, the filter cartridge should be replaced immediately if:

- The user smells or tastes contaminants in the air being supplied to an air-supplied respirator, or;
- There is a large pressure drop in the system, even though the compressor and other components appear to be operating correctly.

Corrective Action

- Shut off air supply and drain filter as described on the reverse side of this instruction sheet. Disconnect the filter from the air source before servicing.
- Replace the Cartridge:
 - Separate the filter head from the tank by removing the bolts and lock washers from the underside.
 - After removing the cartridge, clean the inside of the tank to remove any remaining contaminants.
 - Insert a new Bullard Model 41AF filter cartridge. Tighten the fasteners across from each other and not in a circular sequence. This will help prevent warping of the filter head.
- Record the date the filter was replaced on the label attached to the airline filter tank. You can develop a filter cartridge replacement schedule by monitoring the frequency with which the cartridge needs to be changed.

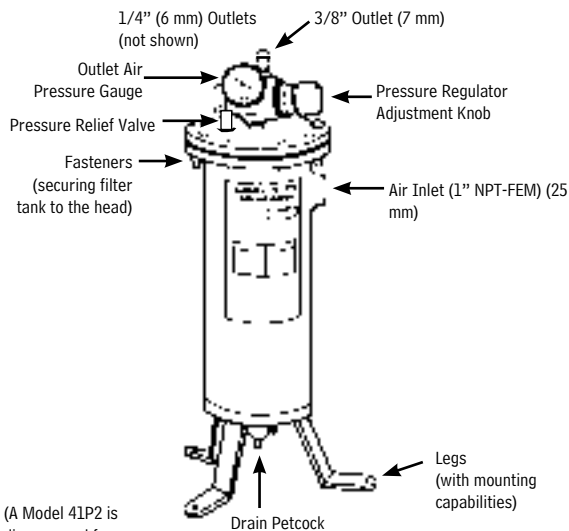


Figure 2

- If conditions are not improved, do not use the filter until appropriate corrective measures have been taken.

Replaceable Filter Cartridge 7-Stage Operation

Cartridges effectively trap and remove impurities with little pressure loss. The supplied-air enters the filter at inlet connector (A), travels through 6 layers of filter material and exits at outlet connector (B) (refer to **Figure 3**). Filter materials work in sequence to trap and hold water, oil, particulates, odors, and organic vapors so that cleaner air is delivered to workers or equipment.

- Water is removed by condensation of air in outer cylinder.
- Carded cotton removes particulates.
- Activated alumina adsorbs oil and moisture.
- Activated charcoal removes odors and moisture.
- Felt material removes particulates.
- Carded cotton removes particulates.
- Respiratory felt at final stage acts as a final filter before air is transferred to worker or air driven tools.

⚠ WARNING

Filter cartridge must be changed periodically for maximum efficiency. Frequency of cartridge changes depends on operating conditions. Cartridge should be changed immediately if respirator wearer feels, smells or tastes contaminants inside the respirator. Filter tank should be drained at least daily to remove trapped water and oil (a petcock is provided on the bottom of the tank for this purpose). Failure to follow these instructions could result in death or serious injury.

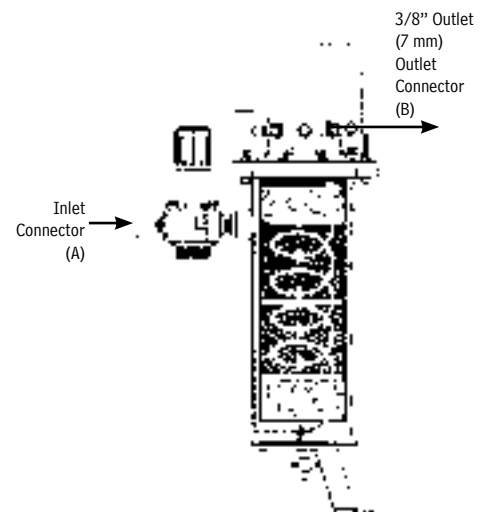


Figure 3

(A Model 41P2 is diagrammed for illustration purposes.)

Bullard 41EAK European Adapter Kit

The Bullard 41EAK European Adapter Kit is supplied to accommodate the threaded coupling and fitting requirements and standards of Europe.

This Kit contains:

- 1 ea. 1" (25 mm) X 3/4" (19 mm) pipe reducing bushing
- 2 ea. 1/4" (6 mm) MPT British thread adapter
- 1 ea. 3/8" (7 mm) X 1/4" (6 mm) reducing bushing

Installing Adapters:

1. Before using 41P2E filter:

- Locate the 1" (25 mm) X 3/4" (19 mm) Pipe Reducing Bushing in the 41EAK Kit bag.
- Apply thread sealant to the 1" (25 mm) X 3/4" (19 mm) Pipe Reducing Bushing.
- Install the 1" (25 mm) X 3/4" (19 mm) Pipe Reducing Bushing into the air inlet on side of filter (refer to **Figure 4** below).
- Tighten with a wrench until wrench tight.

2. If only one air outlet is required:

- Locate the 1/4" (6 mm) MPT British Thread adapter in the 41EAK Kit bag.
- Remove the existing pipe-to-hose adapter from the SIDE of the top mounted regulator, using a wrench.
- Apply thread sealant to the 1/4" (6 mm) MPT British Thread adapter.

- Install the 1/4" (6 mm) MPT British Thread adapter into the open port (refer to **Figure 5** below).
 - Tighten with a wrench until wrench tight.
3. If a second air outlet is required.
- Locate the 3/8" (7 mm) X 1/4" (6 mm) MPT bushing and the 1/4" (6 mm) MPT British Thread adapter in the 41EAK Kit bag.
 - Remove the existing pipe plug from the TOP of the top mounted regulator, using a wrench.
 - Apply thread sealant to the 3/8" (7 mm) X 1/4" (6 mm) MPT bushing.
 - Install the 3/8" (7 mm) X 1/4" (6 mm) MPT bushing into the open port (refer to **Figure 6** below).
 - Tighten with a wrench until wrench tight.
 - Apply thread sealant to the 1/4" (6 mm) MPT British thread adapter.
 - Install the 1/4" (6 mm) MPT British Thread adapter into the open end of the 3/8" (7 mm) X 1/4" (6 mm) bushing that was installed in the step above (refer to **Figure 7** below).
 - Tighten with a wrench until wrench tight.



Figure 4



Figure 5



Figure 6



Figure 7

Warranty Information

Bullard warrants to the original purchaser that the Airline Filter is free of defects in materials and workmanship under normal use and service for a period of one (1) year from the date of manufacture. Under this warranty, Bullard's obligation is limited to repairing or replacing, at its option, articles that are returned within the warranty period and that, after examination, are shown to Bullard's satisfaction to be defective, subject to the following limitations:

- Airline Filter must be returned to Bullard with shipping charges prepaid.
- Airline Filter must not be altered from its original factory configuration.
- Airline Filter must not have been misused, abused or damaged in storage or transit.

In no event shall Bullard be responsible for damages resulting from loss of use or other indirect, incidental, consequential or special costs, expenses or damages incurred by the purchaser, notwithstanding that Bullard has been advised of the possibility of such damages.

ANY IMPLIED WARRANTIES, INCLUDING WARRANTIES OF MERCHANTABILITY AND FITNESS FOR PARTICULAR PURPOSE, ARE LIMITED TO ONE (1) YEAR FROM THE DATE THE AIRLINE FILTER WAS MANUFACTURED.

The above limitations or exclusions may not apply in all states. Some states do not allow the exclusion or limitation of incidental or consequential damages, or allow limitations on how long an implied warranty lasts. This warranty gives you specific legal rights, and you may have other rights which vary between states.

RETURN AUTHORIZATIONS

Contact Customer Service to obtain written permission to return product. Airline Filters cannot be returned without written permission. Material returned for credit will be subject to factory inspection. Current products or products under warranty will be subject to a restocking charge. Returned articles should be sent to Bullard with shipping charges prepaid.

Specifications

Airline Filter	Model 41A	Model 41P2	Model 41P6	Model 41P6WM	Model 41P2E
Max. Air Flow Rate	100 cfm* (2830 lpm)	75 cfm (2120 lpm)	75 cfm (2120 lpm)	75 CFM (2120 lpm)	75 cfm (2120 lpm)
Inlet Connection	1" NPT (Fem.)	1" NPT (Fem.)	1" NPT (Fem.)	1" NPT (Fem.)	3/4" (19 mm) NPT (Fem.)
Outlet Connection	1" NPT (Fem.)	2 outlets 1/4" & 3/8" NPT (Fem.)	6 outlets 3/8" NPT (Fem.)	6 outlets 3/8" NPT (Fem.)	2 outlets 1/4" (6 mm) BPT (Fem.)
Relief Valve	—	125 psig (8.6 bar)	125 psig (8.6 bar)	125 psig (8.6 bar)	125 psig (8.6 bar)
Tank Diameter	5 1/2" (14 cm)	5 1/2" (14 cm)	5 1/2" (14 cm)	5 1/2" (14 cm)	5 1/2" (14 cm)
Height	19" (48 cm)	23 1/2" (60 cm)	25 1/4" (64 cm)	22" (56 cm)	23 1/2" (60 cm)
Weight	19 lb. (8.6 kg)	22 lb. (10 kg)	24 lb. (10.9 kg)	28 lb. (12.7 kg)	22 lb. (10 kg)

*At maximum recommended pressure of 100 psig (6.9 bar)

Ordering Information

CATALOG NUMBER	DESCRIPTION	CATALOG NUMBER	DESCRIPTION
Bullard Airline Filters		Replacement Parts	
41A	Single-outlet filter. Pressure gauge, relief valve, and pressure regulator not included	41AF	Replacement filter cartridge
41P2	2-outlet filter with pressure gauge, relief valve, pressure regulator, and hose adapter fitting	41P6UPK	6-outlet manifold upgrade (includes manifold, regulator assembly, relief valve, and gauge) for 41P6
41P6	6-outlet filter with pressure gauge, relief valve, pressure regulator, and hose adapter fitting	41P2M	2-outlet manifold assembly (includes manifold with regulator, relief valve and gauge) for 41P2 and 41P2E
41P6WM	6-outlet filter with wall-mount bracket, pressure gauge, relief valve, pressure regulator, and hose adapter fitting.	41PRV	Pressure Relief Valve for 41P2, 41P2E, and 41P6/41P6WM airline filters. Set at 125 psig (8.6 bar).
41P2E	2-outlet filter with pressure gauge, relief valve, pressure regulator, and hose adapter fitting, plus adapters suitable for European threaded connections	41RG	Regulator Gauge for 41P2, 41P2E, and 41P6 airline filters
		41P2R	41P2 regulator and assembly (For use with flat top design only)
		41EAK	European adapter kit for 41P2E containing (1) 1" (25 mm) x 3/4" (19 mm) Pipe Reducing Bushing, (1) 3/8" (7 mm) x 1/4" (6 mm) Reducing Bushing and (2) 1/4" (6 mm) MPT British Thread Adapters.
		41HK	Handle kit, 41 Series (optional)

Americas:
E.D. Bullard Company
 1898 Safety Way
 Cynthiana, KY 41031-9303
 Toll free: 877-BULLARD (285-5273)
 Tel: 859-234-6616
 Fax: 859-234-8987
www.bullard.com

Europe:
Bullard GmbH
 Lilienthalstrasse 12
 53424 Remagen • Germany
 Tel: +49-2642 999980
 Fax: +49-2642 9999829
www.bullardextrem.com

Asia-Pacific:
Bullard Asia Pacific Pte. Ltd.
 LHK Building
 701, Sims Drive, #04-03
 Singapore 387383
 Tel: +65-6745-0556
 Fax: +65-6745-5176
www.bullard.com



©2011 Bullard. All rights reserved.
 Teflon is a registered trademark of E.I. DuPont de Nemours Co.

es Los filtros para línea de aire Bullard pueden utilizarse en conjunto con otros equipos de seguridad para compresores con el fin de proporcionar aire más limpio a respiradores de línea de aire. También pueden emplearse para suministrar aire más seco y limpio a herramientas y sistemas neumáticos. Los Filtros de Aire Serie 41 de Bullard se pueden usar para remover agua, aceite, partículas, olores y vapores orgánicos para entregar aire más limpio a trabajadores o equipos. **Los filtros Bullard para línea de aire no eliminarán el monóxido de carbono u otros gases tóxicos.**

Instalación

1. Ubicación:

Seleccione un lugar plano y estable para montar el filtro. Atornille el filtro en su posición sirviéndose de los soportes de montaje. Si desea instalarlo en la pared, utilice el modelo 41P6WM, que está equipado con un soporte de pared.

⚠ ATENCIÓN

El filtro debe montarse correctamente en una superficie adecuada para evitar que volque mientras esté en uso. El incumplimiento de estas instrucciones puede provocar la muerte o heridas graves.

2. Conexión:

Conecte la manguera del compresor a la entrada de aire. Conecte la manguera del respirador o de la herramienta neumática a la salida del filtro. Apriete las conexiones para evitar fugas o posibles pérdidas de presión.

3. Ensamble (Solamente para Modelo 41P6)

Instale el regulador de presión de entrada atornillando el Macho de 1" en el extremo del ensamble a la entrada Hembra de 1" en el tanque del filtro. Use cinta Teflón u otro tipo de sellador en la rosca Macho para obtener un sello óptimo. Apriete con una llave.

4. Instalación de Manija

Una manija opcional está disponible para el Filtro de Aire Serie 41. Para instalar la manija, remueva los tornillos en las dos posiciones ilustradas en **Figura 1**. Inserte la Manija en los dos orificios del cabezal y sujete con las tuercas y arandelas, incluidas con el Kit, en la parte inferior del cabezal.

⚠ ATENCIÓN

Cuando utilice un respirador, no conecte el filtro a cualquier fuente de aire a menos que esté seguro de que proporciona aire respirable. La incapacidad de asegurar el suministro de aire respirable puede provocar la muerte o heridas graves.

Funcionamiento

1. Requisitos del aire

a. Control de la fuente de aire:

La ley federal exige el uso de detectores o alarmas de monóxido de carbono y altas temperaturas cuando se emplean compresores lubricados con aceite como fuentes de aire para respirar. Si únicamente se utiliza una alarma de altas temperaturas, debe comprobar con frecuencia que el aire del compresor no contenga monóxido de carbono para garantizar que cumple los requisitos para aire Grado "D" detallados más adelante.

⚠ ATENCIÓN

Los filtros para línea de aire de la Serie 41 no eliminan el monóxido de carbono y otros gases tóxicos. Se recomienda que revise y cumpla todas las normativas de seguridad federales y estatales relativas a respiradores de línea de aire. El incumplimiento de la normativa de seguridad o el uso inapropiado de los filtros Bullard para línea de aire pueden provocar la muerte o heridas graves.

La ley también exige que las conexiones de la manguera de aire respirable sean incompatibles con las salidas de otros sistemas de gas, para evitar una posible conexión accidental de un respirador de suministro de aire a gases u oxígeno no respirables.

b. Calidad del aire:

El aire respirable suministrado que pasa por este filtro hasta un respirador debe cumplir como mínimo los requisitos de aire gaseoso del Tipo 1, tal como se describe en la Especificación de Materias G7.1 de la Compressed Gas Association (Grado D o superior), según lo prescrito por la ley federal 42 CFR, apartado 84, subapartado J, 84.141(b). El filtro Bullard para línea de aire no elimina el monóxido de carbono u otros gases tóxicos del aire suministrado. Los requisitos del aire respirable Grado D incluyen:

- Oxígeno.....19,5 - 23,0%
- Hidrocarburos (condensados)..... 5 mg/m3

máx.

- Monóxido de carbono.....10 ppm máx.
- Dióxido de carbono..... 1000 ppm máx.
- Ningún contaminante tóxico en concentraciones que harían que fuese peligroso respirar el aire.

Consulte la Especificación de Materias G7.1 de la C.G.A. para obtener datos completos. Puede solicitarla en: Compressed Gas Association, 1235 Jefferson Davis Highway, Arlington, VA 22202.

c. Presión del aire:

La presión del aire en la entrada del filtro no debe superar los 6,89 bar (100 psig). La válvula de alivio de la presión soltará aire cuando la presión dentro del filtro supere los 8,6 bar (125 psig). La descarga de aire desde el filtro puede controlarse para que cumpla requisitos específicos de presión del aire utilizando el botón de ajuste del regulador de presión. Consulte el manual de instrucciones del respirador o herramienta neumática para averiguar las presiones de aire adecuadas para el correcto funcionamiento del equipo.

d. Temperatura:

El aire suministrado al filtro no debe superar los 60° C (140° F). Por lo tanto, no conecte el filtro directamente al colector de escape del compresor.

2. Procedimientos para el correcto funcionamiento

a. Drene el agua acumulada y el aceite del tanque del filtro, según sea necesario, abriendo la válvula de desagüe del grifo de descompresión. Normalmente, el tanque deberá vaciarse como mínimo una vez al día. En ambientes húmedos, o si en el suministro de aire hay grandes cantidades de agua y aceite, vacíe el tanque del filtro con mayor frecuencia.

b. Apriete las abrazaderas que fijan la cabeza al tanque del filtro. Con el paso del tiempo, las abrazaderas pueden aflojarse, lo que podría provocar una fuga en el sistema de aire. (La estanqueidad recomendada es de 27,12 Newton-metros).

Consulte la **Figura 2** de la página 2 de esta hoja de instrucciones para la instalación y la puesta en marcha.



41P2/41P2E



41P6

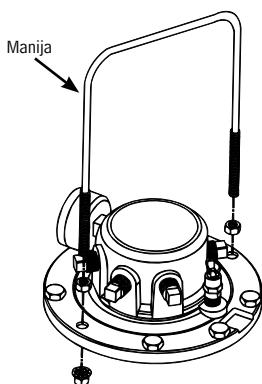


Figure 1

Sustitución del cartucho

⚠ ATENCIÓN

Utilice únicamente cartuchos de repuesto Bullard 41AF. Los filtros Bullard para línea de aire de la Serie 41 están diseñados para utilizar únicamente cartuchos de filtro Bullard. El uso de un cartucho de filtro incorrecto podría provocar la muerte o heridas graves.

La frecuencia de sustitución del cartucho del filtro depende de las condiciones específicas del sistema de aire en el que esté instalado el filtro. Sin embargo, el cartucho del filtro debe cambiarse de inmediato, si:

- El usuario huele o detecta contaminantes en el aire suministrado a un respirador de aire, o;
- Si hay una caída de presión importante en el sistema, aunque aparentemente el compresor y los demás componentes funcionen correctamente.

Acción correctora

- Corte el suministro de aire y purgue el filtro tal como se describe en el dorso de esta hoja de instrucciones. Desconecte el filtro de la fuente de aire antes de iniciar la operación de mantenimiento.
- Cambie el cartucho:
 - Remueva los tornillos y tuercas que sujetan el cabezal al tanque del filtro por la parte inferior y proceda a separar el cabezal del tanque.
 - Una vez cambiado el cartucho, limpie el interior del tanque para eliminar cualquier resto de contaminantes.
 - Introduzca un nuevo cartucho de filtro Bullard modelo 41AF. Apriete las abrazaderas en cruz y no en secuencia circular. Esto le ayudará a evitar la deformación del cabezal del filtro.
- Registre la fecha en la que se cambió el filtro en la etiqueta del tanque del filtro. Puede elaborar un calendario de sustitución del cartucho del filtro controlando la frecuencia con la que es preciso cambiar el cartucho.
- Si las condiciones no mejoran no utilice el filtro hasta que se hayan tomado las medidas correctoras apropiadas.

Funcionamiento en 7 pasos del cartucho sustituible del filtro

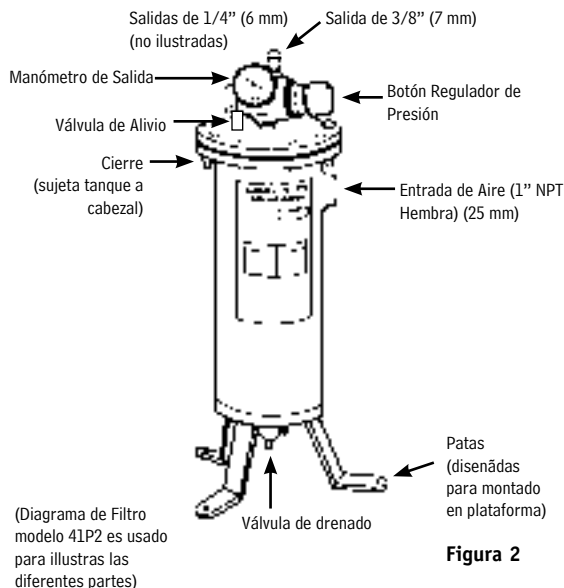


Figura 2

Los cartuchos atrapan y eliminan eficazmente las impurezas con muy poca pérdida de presión. El aire suministrado entra en el filtro en el conector de entrada (A), viaja a través de 6 capas de material de filtrado y se expulsa en el conector de salida (B) (véase la **Figura 3**). Los materiales de filtrado trabajan de manera secuencial para captar y retener agua, aceite, partículas, olores, y vapores orgánicos, de forma que los trabajadores o el equipamiento reciban aire más limpio.

- Se elimina el agua por condensación del aire en el cilindro exterior.
- El algodón cardado elimina las partículas.
- La alúmina activada adsorbe el aceite y la humedad.
- El carbón activado elimina los olores y la humedad.
- El material de fieltro elimina las partículas.
- El algodón cardado elimina las partículas.
- En la fase final, el fieltro respiratorio actúa como filtro final antes de que el aire sea conducido al trabajador o a las herramientas propulsadas por aire.

⚠ ATENCIÓN

El cartucho del filtro debe cambiarse periódicamente para garantizar su máxima eficacia. La frecuencia de las sustituciones de los cartuchos depende de las condiciones de funcionamiento. El cartucho deberá ser sustituido de inmediato si el usuario del respirador nota, huele o percibe contaminantes dentro del respirador. El tanque del filtro debe purgarse como mínimo a diario para eliminar el agua y el aceite retenidos (a este efecto, hay un grifo de descompresión en la parte inferior del tanque). El incumplimiento de estas instrucciones puede provocar la muerte o heridas graves.

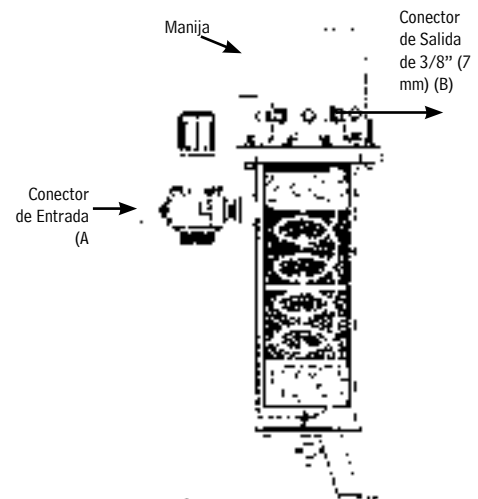


Figura 3

Kit de adaptadores europeos Bullard 41EAK

El kit de adaptadores europeos Bullard 41EAK se suministra para cumplir con los requisitos y estándares europeos de la conexión roscada y el montaje:

- 1 boquilla reductora para conducto de 25 mm (1") X 19 mm (3/4")
- 2 adaptador de rosca inglesa MPT (rosca de tubo macho) de 6 mm (1/4")
- 1 boquilla reductora de 7 mm (3/8") X 6 mm (1/4")

Instalación de los adaptadores:

1. Antes de utilizar el filtro 41P2E:

- Tome la boquilla reductora del conducto de 25 mm (1") X 19 mm (3/4") en la bolsa del kit 41EAK.
- Aplique sellador de rosca a la boquilla reductora de 25 mm (1") X 19 mm (3/4").
- Instale la boquilla reductora de 25 mm (1") X 19 mm (3/4") dentro de la entrada del aire, en el lado del filtro (véase la **Figura 4**).
- Apriete con una llave inglesa hasta que quede apretada.

2. Si sólo se precisa una salida de aire:

Tome el adaptador de rosca inglesa MPT de 6 mm (1/4") en la bolsa del kit 41EAK.

- Quite el adaptador existente del conducto a la manguera desde el LADO del regulador montado en la parte superior con la ayuda de una llave

inglesa.

- Aplique sellador de rosca al adaptador de rosca inglesa MPT de 6 mm (1/4").
 - Instale el adaptador de rosca inglesa MPT de 6 mm (1/4") en el puerto abierto (véase la **Figura 5**).
 - Apriete con una llave inglesa hasta que quede apretada.
3. Si se precisa una segunda salida de aire:
- Tome la boquilla de rosca de tubo macho de 7 mm (3/8") X 6 mm (1/4") y el adaptador de rosca inglesa MPT de 6 mm (1/4") en la bolsa del kit 41EAK.
 - Quite el tapón del conducto existente desde ARRIBA del regulador instalado en la parte superior con la ayuda de una llave inglesa.
 - Aplique sellador de rosca a la boquilla de rosca de tubo macho de 7 mm (3/8") X 6 mm (1/4").
 - Instale la boquilla de rosca de tubo macho de 7 mm (3/8") X 6 mm (1/4") en el puerto abierto (véase la **Figura 6**).
 - Apriete con una llave inglesa hasta que quede apretada.
 - Aplique sellador de rosca en el adaptador de rosca inglesa MPT de 6 mm (1/4").
 - Instale el adaptador de rosca inglesa MPT de 6 mm (1/4") en el extremo abierto de la boquilla de 7 mm (3/8") X 6 mm (1/4") que instaló en el paso anterior (véase la **Figura 7**).
 - Apriete con una llave inglesa hasta que quede apretada.



Figura 5



Figura 6



Figura 7

Información de la garantía

Bullard garantiza al comprador original por un (1) año a partir de la fecha de fabricación que Los filtros para línea de aire están libres de defectos en materiales y mano de obra bajo condiciones normales de uso y de servicio. Bajo esta garantía, la responsabilidad de Bullard se limita a reparar o cambiar, lo que Bullard elija, los artículos que han sido devueltos dentro del período de garantía y que, luego de revisarlos, se muestran defectuosos según el parecer de Bullard. Estos artículos están sujetos a estas limitaciones:

- Los filtros para línea de aire deben devolverse a Bullard con el valor de embarque prepagado.
- Los filtros para línea de aire no deben ser alteradas de su configuración original de fábrica; y
- Los filtros para línea de aire no deben haber sido mal usadas, maltratadas o dañadas ni en el almacenamiento ni en el transporte.

En ningún caso Bullard será responsable de daños que resulten por dejar de usar ni de otros costos, gastos o daños indirectos, incidentales, consecuentes o especiales incurridos por el comprador, aunque Bullard haya sido advertido de la posibilidad de tales daños.

CUALQUIER GARANTÍA EXPLÍCITA, INCLUIDAS LAS GARANTÍAS DE COMERCIALIZACIÓN Y ADECUACIÓN PARA UN PROPÓSITO PARTICULAR, ESTÁN LIMITADAS A UN(1) AÑO A PARTIR DE LA FECHA EN QUE FUERON FABRICADAS LOS FILTROS PARA LINEA DE AIRE.

Las limitaciones o exclusiones indicadas pueden no aplicarse en todos los estados. Algunos estados no permiten la exclusión o limitación de daños incidentales o consecuentes, ni permiten limitaciones en cuanto a la duración de una garantía implícita. Esta garantía le proporciona derechos legales específicos, y usted puede tener otros derechos que varían de estado a estado.

AUTORIZACIÓN DE DEVOLUCIÓN

Póngase en contacto con Servicio al Cliente para obtener un permiso escrito de devolución del producto. Los filtros para línea de aire no pueden devolverse sin el permiso escrito. Los materiales devueltos por crédito serán sujetos a una inspección de fábrica. Los productos actuales o los productos bajo garantía estarán sujetos a un pago de renovación. Los artículos devueltos deben enviarse a Bullard con los gastos de embarque prepagados.

Especificaciones

Filtro para línea de aire	Modelo 41A	Modelo 41P2	Modelo 41P6	Modelo 41P6WM	Modelo 41P2E
Caudal máximo de aire	2830 lpm (100 cfm*)	2120 lpm (75 cfm)	2120 lpm (75 cfm)	2120 lpm (75 cfm)	2120 lpm (75 cfm)
Conexión de entrada (Hembra)	NPT de 1" (Hembra)	NPT de 1" (Hembra)	NPT de 1" (Hembra)	NPT de 1" (3/4")	NPT (Hembra) de 19 mm
Conexión de salida	NPT de 1" (Hembra) 3/8"	2 salidas de 1/4" & NPT (Hembra) de 3/8"	6 salidas NPT (Hembra) de 3/8"	6 salidas NPT (Hembra) (1/4")	2 salidas BPT (Hembra) de 6 mm de (1/4")
Válvula de descarga	—	8,6 bar (125 psig)	8,6 bar (125 psig)	8,6 bar (125 psig)	8,6 bar (125 psig)
Diámetro del tanque	14 cm (5 1/2")	14 cm (5 1/2")	14 cm (5 1/2")	14 cm (5 1/2")	14 cm (5 1/2")
Altura	48 cm (19")	60 cm (23 1/2")	64 cm (25 1/4")	56 cm (22")	60 cm (23 1/2")
Peso	8,6 kg (19 lb.)	10 kg (22 lb.)	10,9 kg (24 lb.)	12,7 kg (28 lb.)	10 kg (22 lb.)

*A una presión máxima recomendada de 6,9 bar (100 psig). NPT = rosca de tubo inglesa. MPT = rosca de tubo macho

Información para pedidos

NÚMERO DE ARTÍCULO	DESCRIPCIÓN	NÚMERO DE ARTÍCULO	DESCRIPCIÓN
Filtros Bullard para conductos de aire			
41A	Filtro de una sola salida. Manómetro, válvula de alivio y regulador de presión no incluidos	41P2M	Conjunto de colector múltiple de 2 salidas (incluye colector múltiple con regulador, válvula de descarga y manómetro) para 41P2 y 41P2E
41P2	Filtro de 2 salidas con manómetro, válvula de alivio, regulador de presión y accesorio adaptador para manguera	41PRV	Válvula de descarga de la presión para los filtros de conductos de aire 41P2, 41P2E, y 41P6/41P6WM. Regular a 8.6 bar (125 psig)
41P6	Filtro de 6 salidas con manómetro, válvula de alivio, regulador de presión y accesorio adaptador para manguera	41RG	Manómetro del regulador para los filtros de conductos de aire 41P2, 41P2E, y 41P6
41P6WM	Filtro de 6 salidas con soporte de pared, manómetro, válvula de alivio, regulador de presión y accesorio adaptador para manguera	41P2R	Regulador y conjunto 41P2 (para uso únicamente con diseño de superficie plana)
41P2E	Filtro de 2 salidas con manómetro, válvula de alivio, regulador de presión, y accesorio adaptador para manguera, además de adaptadores apropiados para conexiones roscadas europeas	41EAK	Kit de adaptación europeo para 41P2E que incluye (1) boquilla reductora para conducto de 25 mm (1") x 19 mm (3/4"), (1) boquilla reductora de 7 mm (3/8") x 6 mm (1/4") y (2) adaptadores de rosca inglesa MPT de 6 mm (1/4").
		41HK	Kit de Manija para Filtro de Aire Serie 41 (opcional)
Piezas de repuesto			
41AF	Cartucho de repuesto del filtro		
41P6UPK	Mejora del colector múltiple de 6 salidas (incluye colector múltiple, conjunto del regulador, válvula de descarga, y manómetro) para 41P6		



©2011 Bullard. All rights reserved.
Teflon is a registered trademark of E.I. DuPont de Nemours Co.

d Benutzerhandbuch

Luftleitungsfilter der Bullard-41-Modellreihe können in Verbindung mit anderen Kompressor-Schutzvorrichtungen eingesetzt werden, um saubere Luft an Atemschutzgeräte zu liefern. Darüber hinaus können die Filter eingesetzt werden, um die Sauberkeit der an pneumatische Werkzeuge und Systeme gelieferten Luft zu verbessern. Des Weiteren können Bullard-Luftleitungsfilter der Serie 41 verwendet werden, um Wasser, Öl, Partikel, Gerüche und organische Dämpfe zu entfernen und Arbeiter oder Anlagen mit saubererer Luft zu versorgen. **Bullard-Luftleitungsfilter entfernen KEIN Kohlenmonoxid und andere giftige Gase aus Luftleitungen.**

Installation

1. Standort:

Wählen Sie für die Installation einen flachen und stabilen Standort. Verschrauben Sie den Filter mithilfe der Standfüße an der ausgewählten Position. Im Fall einer gewünschten Wandmontage verwenden Sie das Modell 41P6WM, das mit einer Wandhalterung ausgestattet ist.

⚠ WARNUNG

Die Filter müssen sicher auf einem geeigneten Untergrund installiert werden, um zu verhindern, dass sie während des Gebrauchs umkippen. Eine Nichtbeachtung dieser Anweisung kann zu tödlichen oder schweren Verletzungen führen.

2. Anschluss:

Verbinden Sie den Kompressorschlauch mit der Luftzufuhr. Verbinden Sie den Luftschlauch des Atemgeräts oder des pneumatischen Werkzeugs mit der Auslassöffnung des Filters. Ziehen Sie die Verbindungen fest an, um Lecks und einen möglichen Druckverlust zu vermeiden.

3. MONTAGE (NUR 41P6)

Installieren Sie die Reglereinlass-Baugruppe, indem Sie den 1"-Einschraubstutzen am Ende der Komponenten in die 1"-Gewindeöffnung am Filtergehäuse schrauben. Verkleben Sie das Gewinde des Einschraubstutzens mit Teflon®-Band oder Gewinde-Isoliermittel, bevor Sie den Stutzen einschrauben. Ziehen Sie die Schraubverbindung mit einem Schraubenschlüssel an.

4. Handgriff-Montagekit:

Für die Luftleitungsfilter der Serie 41 steht ein optionales Handgriff-Montagekit zur Verfügung. Um den Griff zu montieren, entfernen Sie die beiden Schrauben aus den in Abbildung 1 gezeigten Positionen. Der Griff wird in die beiden Öffnungen eingeführt und die Gewindeenden werden mit den beiliegenden Unterlegscheiben und Muttern von unten verschraubt.

⚠ WARNUNG

Wenn Sie ein Atemgerät verwenden, verbinden Sie den Filter nicht mit einer Luftquelle, wenn Sie sich nicht sicher sind, dass diese Atemluft liefert. Eine Nichtbeachtung dieser Anweisung kann zu tödlichen oder schweren Verletzungen führen.

Betrieb

1. Luftanforderungen

a. Überwachung der Luftquelle

Gemäß den gesetzlichen Vorschriften erfordert der Einsatz von ölgeschmierten Kompressoren als Quelle für Atemluft die Anwendung von Kohlenmonoxid- bzw. Temperaturüberwachungs-

⚠ WARNUNG

Die Luftleitungsfilter der Serie 41 beseitigen kein Kohlenmonoxid oder andere giftige Gase. Beachten Sie alle nationalen oder regionalen Sicherheitsvorschriften in Verbindung mit Luftschlauch-Atemgeräten. Die Nichtbeachtung der Sicherheitsvorschriften oder ein unsachgemäßer Gebrauch von Bullard-Luftleitungsfiltern kann zu tödlichen oder schweren Verletzungen führen.

und Alarmsystemen. Wenn nur ein Hochtemperaturalarm verwendet wird, müssen Sie die Kompressorluft regelmäßig auf Kohlenmonoxid überprüfen, um sicherzustellen, dass diese den nachfolgend erläuterten Anforderungen der Klasse D entspricht.

Gemäß den gesetzlichen Vorschriften dürfen die Verbindungsstücke von Atemluftschläuchen darüber hinaus nicht mit den Austrittsöffnungen anderer Gassysteme kompatibel sein, um ein versehentliches Verbinden eines Atemgeräts mit nicht atembaren Gasen oder Sauerstoff zu verhindern.

b. Qualität der Atemluft:

Durch diesen Filter einem Atemgerät zugeführte Atemluft muss mindestens die Anforderungen an gasförmige Luft des Typs 1 gemäß der Beschreibung der Compressed Gas Association Commodity Specification G7.1 (Klasse D oder höher) gemäß der Definition des Bundesgesetzes 42 CFR, Abschnitt 84, Unterabschnitt J, 84.141(b) entsprechen. Der Bullard-Luftleitungsfilter entfernt kein Kohlenmonoxid und keine anderen giftigen Gase aus der Zufuhrluft. Die Anforderungen an Atemluft der Kategorie D umfassen:

- Sauerstoff 19,5 – 23,0%
- (kondensierte) Wasserkohlenstoffe 5 mg/m³ max.
- Kohlenmonoxid 10 ppm max.
- Kohlendioxid 1000 ppm max.
- Keine giftigen Schmutzstoffe in einer Menge, durch die das Einatmen der Luft die Gesundheit gefährden würde.

Weitere Informationen hierzu finden Sie in den C.G.A. Commodity Specifications G7.1. Diese kann unter der folgenden Adresse angefordert werden: Compressed Gas Association, 1235 Jefferson Davis Highway, Arlington, VA 22202.

c. Luftdruck:

Der Luftdruck am Filtereinlass darf nicht mehr als 100 psig (6,89 bar) betragen. Sofern der Druck in dem Filter einen Wert von 125 psig (8,6 bar) übersteigt, kann Luft durch das Luftablassventil abgelassen werden. Der Luftablass aus dem Filter kann gesteuert werden, um die jeweiligen Luftdruckanforderungen zu erfüllen. Hierzu kann der Druckregler-Einstellknopf verwendet werden. Informationen zum richtigen Luftdruck für die sachgemäße Anwendung des Geräts finden Sie im Handbuch Ihres pneumatischen Werkzeugs oder Atemgeräts.

d. Temperatur:

Die Temperatur der dem Luft zugeführten Filter darf nicht mehr als 140°F (60°C) betragen. Schließen Sie den Filter daher niemals direkt an den Abluftkrümmer des Kompressors an.

2. Verfahrensanweisungen für den sachgemäßen Betrieb

a. Entfernen Sie angesammeltes Wasser oder Öl aus dem Filtertank nach Bedarf, indem Sie das Ablassventil öffnen. Der Tank muss normalerweise mindestens einmal pro Tag entleert werden. In feuchten Klimaregionen oder im Fall großer Mengen Wasser und Öl in der Luftzufuhr muss der Filtertank häufiger entlüftet werden.

b. Ziehen Sie die Befestigungselemente, die den Kopf des Filtertanks sichern, an. Die Befestigungselemente können sich im Lauf der Zeit lösen und so zu einem Leck im Luftsystem führen (der empfohlene Dichtheitswert beträgt 20 ft. lbs).

Anweisungen zur Installation und für den Betrieb finden Sie in **Abbildung 2** auf Seite 2 der vorliegenden Anleitung.



41P2/41P2E



41P6

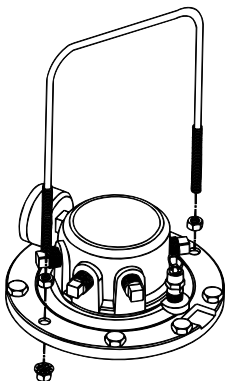


Abbildung 1

Austausch der Filterkartusche

⚠️ WARNUNG

Verwenden Sie für den Austausch ausschließlich Bullard-41AF-Kartuschen. Die Luftleitungsfilter der Bullard-Modellreihe 41 sind ausschließlich für den Betrieb mit Bullard-Filterkartuschen ausgelegt. Die Verwendung ungeeigneter Filterkartuschen kann zu tödlichen oder schweren Verletzungen führen.

Die Häufigkeit des Filterkartuschenwechsels richtet sich nach den Bedingungen des jeweiligen Luftzufuhrsystems, in dem der Filter installiert wird. Die Filterkartusche sollte jedoch unverzüglich gewechselt werden, wenn:

- a. der Benutzer Schmutzstoffe in der dem luftgespeisten Atemgerät zugeführten Luft riecht oder schmeckt oder
- b. ein erheblicher Druckabfall im System auftritt, obwohl der Kompressor und andere Komponenten einwandfrei zu funktionieren scheinen.

Korrekturmaßnahmen

1. Schalten Sie die Luftzufuhr und den Ablassfilter wie auf der Rückseite dieser Anleitung beschrieben ab. Trennen Sie den Filter vor der Wartung von der Luftquelle.
2. Wechseln der Kartusche:
 - a. Trennen Sie den Filterkopf vom Tank, indem Sie die Schrauben und Unterlegscheiben von der Unterseite entfernen.
 - b. Nachdem Sie die Kartusche entnommen haben, reinigen Sie den Tank von innen, um alle Restschmutzstoffe zu entfernen.
 - c. Setzen Sie eine neue Bullard-41AF-Filterkartusche ein. Ziehen Sie die Befestigungselemente jeweils in gegenüber liegender und nicht in kreisförmiger Reihenfolge an, um eine Verwerfung des Filterkopfs zu vermeiden.
3. Tragen Sie das Datum des Filterwechsels auf dem Aufkleber auf dem Luftleitungs-Filtertank ein. Sie können einen Wechselplan für die Filterkartuschen erstellen, indem Sie beobachten, wie häufig die Kartusche gewechselt werden muss.
4. Wenn sich die Betriebsbedingungen hierdurch nicht verbessern, verwenden Sie den Filter erst wieder, wenn entsprechende Korrekturmaßnahmen getroffen wurden.

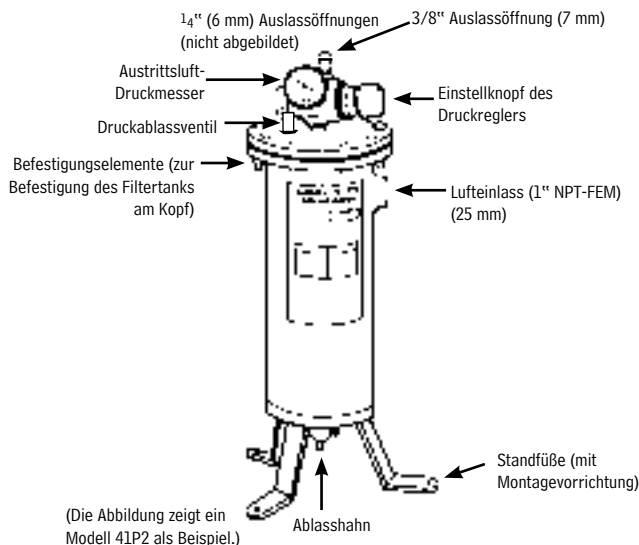


Abbildung 2

7-Stufen-Betrieb der austauschbaren Filterkartusche

Kartuschen binden und entfernen Verunreinigungen effektiv bei geringem Druckverlust. Die Zuluft gelangt am Eintrittsanschluss (A) in den Filter, wird durch 6 Schichten Filtermaterial geleitet und verlässt den Filter am Auslassanschluss (B) (siehe **Abbildung 3**). Das in Reihe angeordnete Filtermaterial bindet Wasser, Öl, Partikel, Gerüche und organische Dämpfe, sodass dem Arbeiter oder dem Gerät sauberere Luft zugeführt wird.

1. Wasser wird durch Kondensation der Luft im äußeren Zylinder entfernt.
2. Partikel werden durch Baumwollvlies entfernt.
3. Aktivtonerde absorbiert Öl und Feuchtigkeit.
4. Aktivkohle beseitigt Gerüche und Feuchtigkeit.
5. Filzmaterial entfernt Partikel.
6. Baumwollvlies entfernt Partikel.
7. Der Atemfilz der letzten Stufe dient als letzter Filter, bevor die Luft dem Mitarbeiter oder dem luftbetriebenen Werkzeug zugeführt wird.

⚠️ WARNUNG

Die Filterkartusche muss regelmäßig gewechselt werden, um eine optimale Wirkung zu gewährleisten. Die Häufigkeit des Filterwechsels richtet sich nach den Betriebsbedingungen. Die Kartusche sollte unverzüglich gewechselt werden, wenn der Träger der Atemmaske Schmutzstoffe innerhalb der Maske spürt, riecht oder schmeckt. Der Filtertank sollte mindestens täglich geleert werden, um herausgefiltertes Wasser und Öl zu entfernen (der Boden des Tanks ist zu diesem Zweck mit einem Ablasshahn ausgestattet). Eine Nichtbeachtung dieser Anweisungen kann zu tödlichen oder schweren Verletzungen führen.

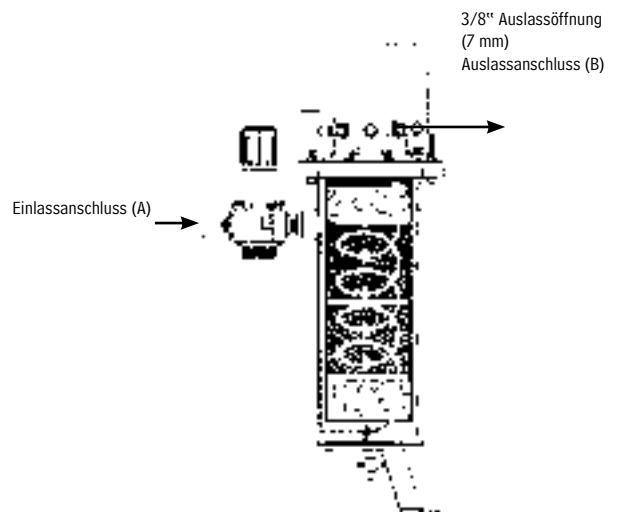


Abbildung 3

Europäisches Adapter-Kit Bullard 41EAK

Das europäische Adapter-Kit Bullard 41EAK dient der Aufnahme der Gewindeverbindung und der Anpassung an die europäischen Anforderungen und Normen.

Dieses Kit enthält:

- 1 ea. 1" (25 mm) x 3/4" (19 mm) Reduzierhülse
- 2 ea. 1/4" (6 mm) MPT britischer Gewindeadapter
- 1 ea. 3/8" (7 mm) x 1/4" (6 mm) Reduzierhülse

Installation der Adapter:

1. Vor der Verwendung des 41P2E-Filters:

- Entnehmen Sie die 1" (25 mm) x 3/4" (19 mm) Reduzierhülse aus dem Beutel des 41EAK-Kits.
- Tragen Sie Gewindeisoliertmittel auf die 1" (25 mm) x 3/4" (19 mm) Reduzierhülse auf.
- Installieren Sie die 1" (25 mm) x 3/4" (19 mm) Reduzierhülse in dem Lufteinlass auf der Seite des Filters (siehe **Abbildung 4** unten).
- Ziehen Sie das Gewinde mit dem Schraubenschlüssel schlüsselfest an.

2. Wenn nur ein Luftauslass benötigt wird:

- Entnehmen Sie den 1/4" (6 mm) MPT britischen Gewindeadapter aus dem Beutel des 41EAK-Kits.
- Entfernen Sie den vorhandenen Leitungsschlauchadapter von der SEITE des auf der Oberseite montierten Reglers mit einem Schraubenschlüssel.
- Geben Sie Isoliertmittel auf den 1/4" (6 mm) MPT britischen Gewindeadapter.

- Installieren Sie den 1/4" (6 mm) MPT britischen Gewindeadapter an dem offenen Anschluss (siehe **Abbildung 5** unten).

- Ziehen Sie die Verbindung mit einem Schraubenschlüssel schlüsselfest an.

3. Wenn ein zweiter Luftauslass benötigt wird:

- Entnehmen Sie die 3/8" (7 mm) x 1/4" (6 mm) MPT-Reduzierhülse und den 1/4" (6 mm) MPT britischen Gewindeadapter aus dem Beutel des 41EAK-Kits.
- Entfernen Sie den vorhandenen Leitungsstopfen von der OBERSEITE des oben angebrachten Reglers mit einem Schraubenschlüssel.
- Geben Sie Isoliertmittel auf die 3/8" (7 mm) x 1/4" (6 mm) MPT-Reduzierhülse.
- Installieren Sie die 3/8" (7 mm) x 1/4" (6 mm) MPT-Reduzierhülse an dem offenen Anschluss (siehe **Abbildung 6** unten).
- Ziehen Sie die Verbindung mit einem Schraubenschlüssel schlüsselfest an.
- Geben Sie Isoliertmittel auf den 1/4" (6 mm) MPT britischen Gewindeadapter.
- Installieren Sie den 1/4" (6 mm) MPT britischen Gewindeadapter an dem offenen Ende der 3/8" (7 mm) x 1/4" (6 mm) Reduzierhülse, die im vorigen Schritt angebracht wurde (siehe **Abbildung 7** unten).
- Ziehen Sie die Verbindung mit einem Schraubenschlüssel schlüsselfest an.



Abbildung 4



Abbildung 5



Abbildung 6



Abbildung 7

Garantiehinweise

Bullard gewährt dem ursprünglichen Käufer eine Garantie von einem (1) Jahr ab dem Herstellungsdatum auf Material- und Herstellungsfehler bei normalem Gebrauch und normaler Wartung auf den Luftleitungsfilter. Die Haftung der Firma Bullard im Rahmen dieser Garantie ist auf die Reparatur oder den Ersatz nach eigenem Ermessen von Artikeln, die innerhalb der Garantiefrist zurückgegeben werden und nach einer Prüfung zur Zufriedenheit von Bullard und vorbehaltlich der nachfolgenden Beschränkungen einen Mangel aufweisen, beschränkt:

- Der Luftleitungsfilter muss Bullard franko zurückgegeben werden.
- Die ursprüngliche werkseitige Konfiguration des Luftleitungsfilters darf nicht verändert worden sein.
- Der Luftleitungsfilter darf nicht unsachgemäß gebraucht, zweckentfremdet oder während der Lagerung oder des Transports beschädigt worden sein.

Bullard haftet in keinem Fall für Schäden aufgrund eines Nutzungsverlusts sowie für indirekte, Neben-, Folge- oder besondere Kosten, Aufwendungen oder Schäden des Käufers, selbst wenn Bullard von der Möglichkeit solcher Schäden Kenntnis hatte.

ALLE INDIREKTEN GARANTIEEN EINSCHLIESSLICH IN BEZUG AUF DIE MARKTGÄNGIGKEIT UND DIE EIGNUNG FÜR EINEN BESTIMMTEN ZWECK SIND AUF EIN (1) JAHR AB DEM DATUM DER HERSTELLUNG DES LUFTLEITUNGSFILTERS BESCHRÄNKT.

Die vorgenannten Garantiebeschränkungen oder -ausschlüsse gelten unter Umständen nicht in allen Ländern. Einige Länder verbieten den Ausschluss oder die Beschränkung von Neben- oder Folgeschäden oder erlauben Beschränkungen der Dauer einer indirekten Garantie. Die vorliegende Garantie gesteht Ihnen bestimmte gesetzliche Rechte zu. Darüber hinaus können Sie weitere landesspezifische Rechtsansprüche haben.

RÜCKSENDEGENEHMIGUNGEN

Wenden Sie sich an den Kundendienst, um eine schriftliche Rücksendegenehmigung für das Produkt zu erhalten. Luftleitungsfilter können nicht ohne eine schriftliche Genehmigung zurückgesendet werden. Für eine Gutschrift zurückgesendetes Material unterliegt einer werkseitigen Prüfung. Aktuelle Produkte oder Produkte, für die noch eine Garantie besteht, unterliegen einer Rücknahmegebühr. Zurückgegebene Artikel müssen franko an Bullard zurückgesendet werden.

Spezifikationen

Luftleitungsfilter	Modell 41A	Modell 41P2	Modell 41P6	Modell 41P6Wm	Modell 41P2E
Maximaler Luftdurchsatz	100 cfm* (2830 lpm)	75 cfm (2120 lpm)	75 cfm (2120 lpm)	75 cfm (2120 lpm)	75 cfm (2120 lpm)
Einlassanschluss	1" NPT (Innengewinde)	1" NPT (Innengewinde)	1" NPT (Innengewinde)	1" NPT (Innengewinde)	3/4" (19 mm) NPT (Innengewinde)
Auslassanschluss	1" NPT (Innengewinde)	2 Auslassöffnungen 1/4" & 3/8" NPT (Innengewinde)	6 Auslassöffnungen 3/8" NPT (Innengewinde)	6 Auslassöffnungen 3/8" NPT (Innengewinde)	2 Auslassöffnungen 1/4" (6 mm) BPT (Innengewinde)
Ablassventil		125 psig (8,6 bar)	125 psig (8,6 bar)	125 psig (8,6 bar)	125 psig (8,6 bar)
Tankdurchmesser	5 1/2" (14 cm)	5 1/2" (14 cm)	5 1/2" (14 cm)	5 1/2" (14 cm)	5 1/2" (14 cm)
Höhe	19" (48 cm)	23 1/2" (60 cm)	25 1/4" (64 cm)	22" (56 cm)	23 1/2" (60 cm)
Gewicht	19 lb (8,6 kg)	22 lb (10 kg)	24 lb (10,9 kg)	28 lb (12,7 kg)	22 lb (10 kg)

*Bei empfohlenem Maximaldruck von 100 psig (6,9 bar)

Bestellinformationen

KATALOG-NR.	BESCHREIBUNG	KATALOG-NR.	BESCHREIBUNG
Bullard-Luftleitungsfilter		Ersatzteile	
41A	Filter mit einer Auslassöffnung. Druckmesser, Ablassventil und Druckregler nicht enthalten	41AF	Ersatz-Filterkartusche
41P2	Filter mit zwei Auslassöffnungen, Druckmesser, Ablassventil, Druckregler und Schlauchadapter.	41P6UPK	Nachrüstatz für 6 Auslassöffnungen (einschließlich Anschlüsse, Regler-Baugruppe, Ablassventile und Druckmesser) für 41P6
41P6	Filter mit 6 Auslassöffnungen, Druckmesser, Ablassventil, Druckregler und Schlauchadapter	41P2M	Baugruppe für 2 Auslassöffnungen (einschließlich Anschlussstück mit Regler, Ablassventil und Druckmesser) für 41P2 und 41P2E
41P6WM	Filter mit 6 Auslassöffnungen und Wandhalterung, Druckmesser, Ablassventil, Druckregler und Schlauchadapter	41PRV	Druckablassventil für 41P2-, 41P2E- und 41P6/41P6PWM-Luftleitungsfilter. Voreingestellt auf 125 psig (8,6 bar).
41P2E	Filter mit 2 Auslassöffnungen, Druckmesser, Ablassventil, Druckregler und Schlauchadapter sowie Adapter für europäische Schraubverbindungen	41RG	Reglermessanzeige für 41P2-, 41P2E- und 41P6-Luftleitungsfilter
		41P2R	41P2-Regler und Baugruppe (nur kompatibel mit Modellen mit flacher Oberseite)
		41EAK	Europäisches Adapter-Kit für 41P2E – enthält (1) 1" (25 mm) x 3/4" (19 mm) Reduzierhülse, (1) 3/8" (7 mm) x 1/4" (6 mm) Reduzierhülse und (2) 1/4" (6 mm) MPT britische Gewindeadapter.
		41HK	Griff-Montagekit, 41er-Serie (optional)

Americas:
E.D. Bullard Company
 1898 Safety Way
 Cynthiana, KY 41031-9303
 Toll free: 877-BULLARD (285-5273)
 Tel: 859-234-6616
 Fax: 859-234-8987
www.bullard.com

Europe:
Bullard GmbH
 Lilienthalstrasse 12
 53424 Remagen • Germany
 Tel: +49-2642 999980
 Fax: +49-2642 9999829
www.bullardextrem.com

Asia-Pacific:
Bullard Asia Pacific Pte. Ltd.
 LHK Building
 701, Sims Drive, #04-03
 Singapore 387383
 Tel: +65-6745-0556
 Fax: +65-6745-5176
www.bullard.com

