



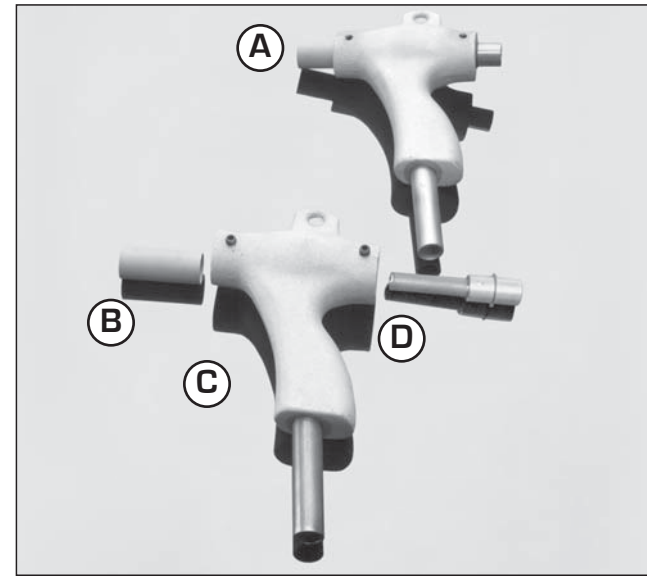
## Blast Gun Assembly Construction & Replacement Parts

All Econoline 12 and 25 CFM Blast Gun Assemblies are cast of aluminum. This lighter, less fatiguing gun also features a cast-in ribbed pick-up tube. You will find the machining on our gun bodies superior to that of many of our competitors, thus not only extending the life of the gun body, but also enhancing the performance of the assembly itself.

We carry a full line of replacement parts making it easy for you to keep your Blast Guns in perfect working order.

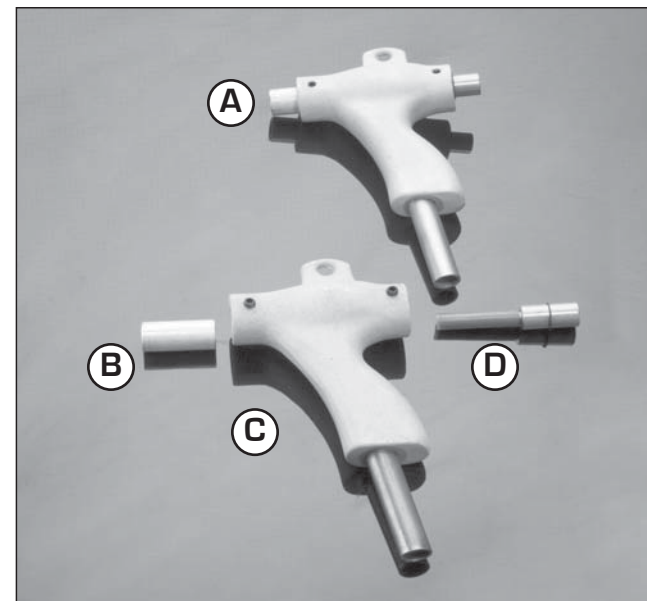
### 45 CFM Pistol Grip

	Mfg. Number	Description
A	201542	45 CFM Pistol Grip Complete
B	410209	45 CFM Carbide Nozzle 7/16" I.D.
C	201775	25/45 CFM Gun Body Only
D	201541	45 CFM Air Jet Assembly



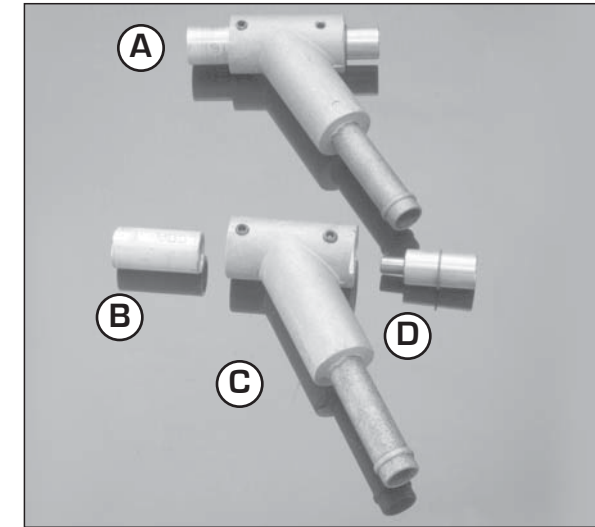
### 25 CFM Pistol Grip

	Mfg. Number	Description
A	201540	25 CFM Pistol Grip Complete
B	201382	25 CFM Carbide Nozzle 5/16" I.D.
C	201775	25/45 CFM Gun Body Only
D	201851	25 CFM Air Jet Assembly



### 25 CFM Gun

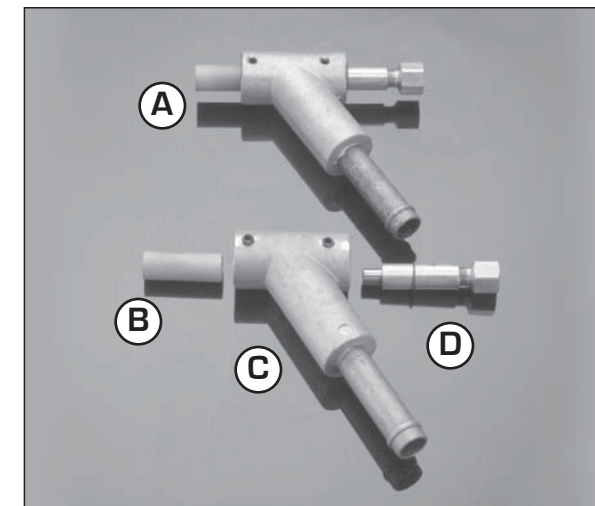
	Mfg. Number	Description
A	201381	25 CFM Gun Assembly Complete
B	201382	25 CFM Carbide Nozzle 5/16" I.D.
C	201757	25 CFM Gun Body Only
D	201383	25 CFM Air Jet Assembly 5/32" I.D.



A Boron Carbide nozzle Mfg Number 410207 is also available (not shown).

### 12 CFM Gun

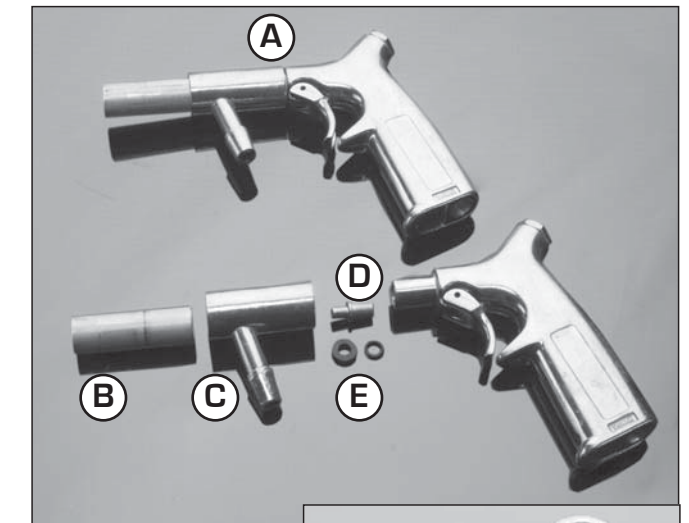
	Mfg. Number	Description
A	201379	12 CFM Gun Assembly Complete
B	410201	12 CFM Carbide Nozzle 1/4" I.D.
C	201756	12 CFM Gun Body Only
D	201394	12 CFM Air Jet Assembly 1/8" I.D.



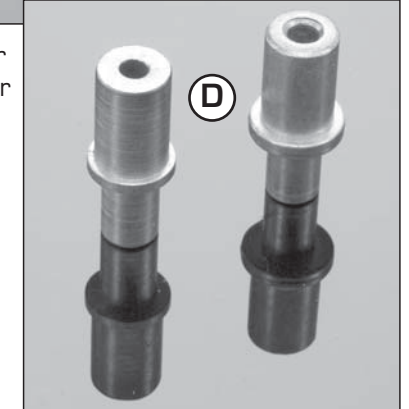
A Boron Carbide nozzle Mfg Number 410208 is also available (not shown).

### Pistol Grip Trigger

	Description	Mfg. Number	
A	Full Assembly	12 CFM Tungsten Carbide Nozzle	201647
		12 CFM Ceramic Nozzle	201788
		25 CFM Ceramic Nozzle	201789
B	Nozzle	12 CFM Ceramic	201790
		25 CFM Ceramic	201791
		12 CFM Steel	497055
		25 CFM Steel	497061
		12 CFM Tungsten Carbide	497010
C	Nozzle Holder	12 & 25 CFM Trigger Gun	410535A
D	Air Jet	12 CFM 1/8 I.D.	410537
		25 CFM 5/32 I.D.	410538
E	Washer - Air Jet Seal	12 & 25 CFM Trigger Gun	410536



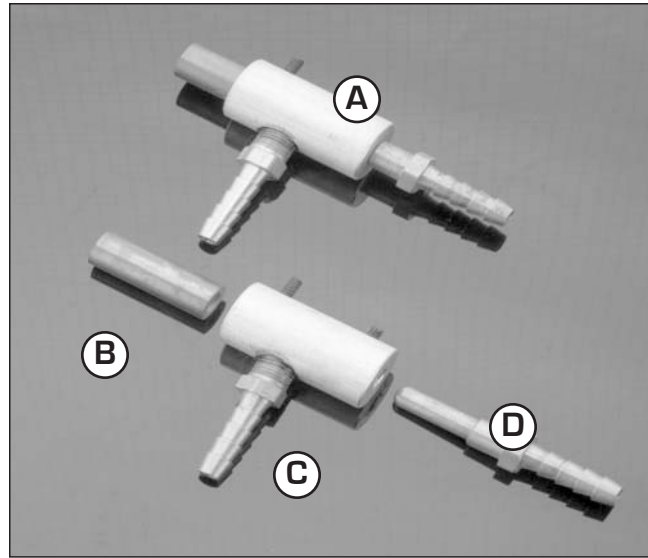
The Pistol Grip Trigger is the standard gun for Budget Blast Models and the ESB 007 Portable unit



Air jet detail

## 6 CFM Gun

	Mfg. Number	Description
A	201538	6 CFM Gun Assembly Complete
B	410200	6 CFM Carbide Nozzle 1/8" I.D.
C	410101	6 CFM Gun Body with hose barb
D	201539	6 CFM Air Jet 1/16" I.D.



## Pencil Gun

	Mfg. Number	Description
Not Shown	410250	Gun Assembly 1/16" Tip
Shown	410253	Gun Assembly 1/8" Tip

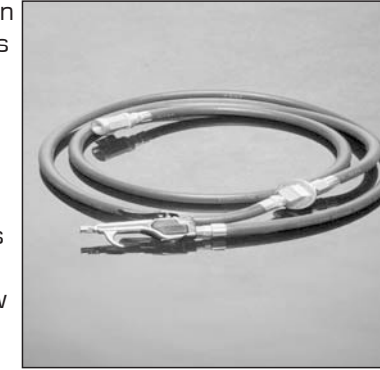
The Econoline Pencil Gun allows users to finish smaller parts. The pencil gun has a 5 foot flexible hose for easy maneuverability. Abrasive flow is controlled by a thumb screw on the flow control assembly. Offered in 1/16" and 1/8" Tip Gun Assembly options. Also available with the following nozzle options: 1/16" carbide [Mfg. Number 410251], 1/16" flat tip [Mfg. Number 410252] and 1/8" carbide [Mfg. Number 410263].



## Dust Blow Off Gun

Mfg. Number	Approx. Weight
201749	2 lbs

The Dust Blow Off Gun from Econoline cleans projects of dust and debris, right inside your blast cabinet. The gun mounts on the side of the blast cabinet and connects directly to the air supply. The Dust Blow Off Gun is excellent for detail work and finishing. Individual replacement components are also available.



### Choosing the Right Nozzle

#### Nozzle Selection for Direct Pressure units

Compressors can be overtaxed by using a nozzle that is too large. A large nozzle consumes a greater amount of media within a given period. The nozzle I.D. (inner diameter) dictates the required size of the compressor. Refer to the selection chart to determine which nozzle size is appropriate to do the job with your compressor.

I.D.	CFM	PSI	Blast Area Sq. Ft./Minute	Abrasive Unit/Hr
3/32"	7	80	1/2	100 lbs
1/8"	15	80	1 to 1 1/2	150 lbs
5/32"	25	80	1 to 2 1/2	200 lbs
3/16"	40	80	3 to 3 1/2	300 lbs
1/4"	80	80	4 to 4 1/2	500 lbs

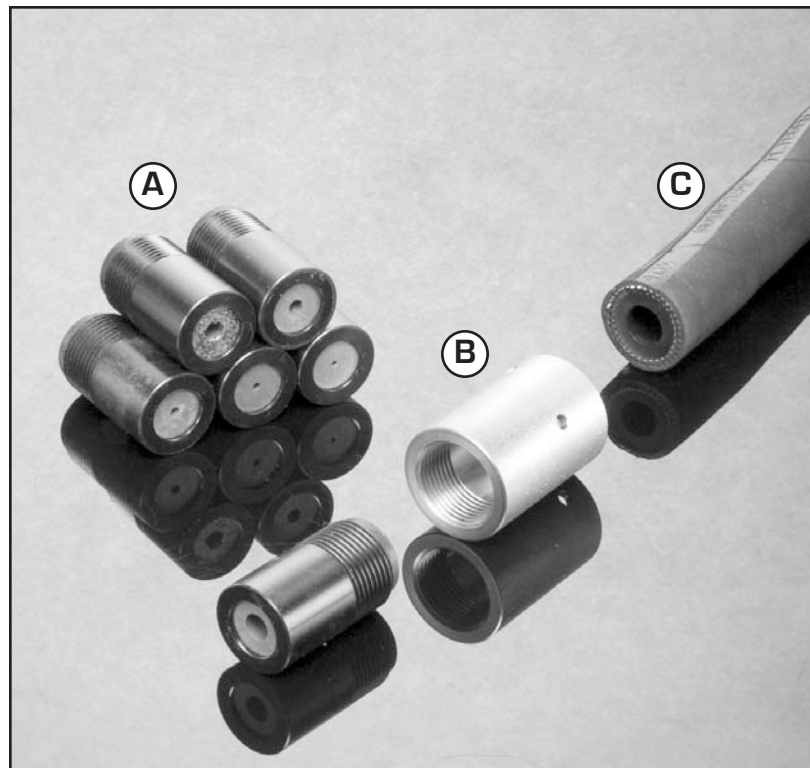
As the nozzles wear out the I.D. increases, requiring a greater volume of air. Due to this change, you may want to start with a smaller size nozzle.

#### Nozzle Selection for Siphon Method units

The orifice in the air jet, combined with the orifice in the blast nozzle determines the CFM (cubic feet per minute) of compressed air required to operate a suction gun. The blast nozzle orifice size should be at least twice the size of the orifice in the air jet. The chart below shows the CFM required at various pressures to properly support various air jet/ nozzle combinations.

Air Requirements CFM]	40 PSI	60 PSI	80 PSI	100 PSI
1/4" nozzle, 3/32" air jet	7 CFM	10 CFM	12 CFM	15 CFM
1/4" nozzle, 1/8" air jet	12 CFM	17 CFM	21 CFM	26 CFM
3/16" nozzle, 1/8" air jet	12 CFM	17 CFM	21 CFM	26 CFM
5/16" nozzle, 5/32" air jet	19 CFM	27 CFM	34 CFM	42 CFM
7/16" nozzle, 7/32" air jet	38 CFM	52 CFM	66 CFM	80 CFM

## Tungsten Carbide Nozzles, Holder and Hose

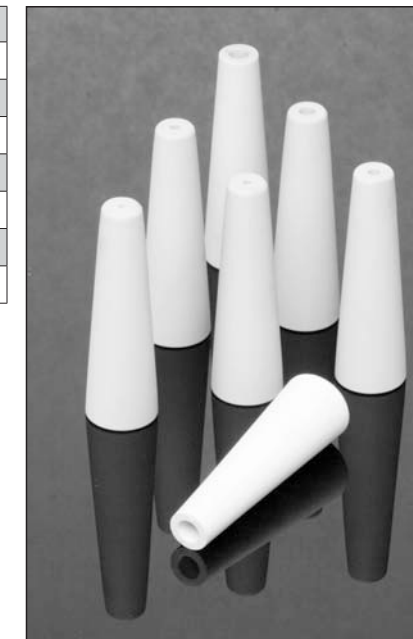


	Mfg. Number	Description
A	416529	1/8" I.D. Carbide Nozzle
	416530	3/16" I.D. Carbide Nozzle
	416531	1/4" I.D. Carbide Nozzle
	416532	5/16" I.D. Carbide Nozzle
	416533	1/16" I.D. Carbide Nozzle
	416534	3/32" I.D. Carbide Nozzle
B	410461	Nozzle Holder
C	413411	1 1/8" O.D. Media Hose

All Econoline direct pressure cabinets include the 1/8" I.D. nozzle, holder and media hose.

## Ceramic Nozzles

Mfg. Number	I.D.
448847	1/4"
448848	3/16"
448849	3/32"
448850	5/16"
448851	5/32"
448852	3/8"
448857	1/8"







## Regulator and Gauge Assembly

All of our standard blast cabinets include regulator and gauge assemblies, allowing the user to control the velocity of the blast stream. With this feature, a user can control both the speed at which the work is completed and flexibility in achieving the desired finish.

Users save time because they don't need to change the pressure at their air compressor, which they may be using for a variety of air driven tools in their shop. They can simply adjust the air pressure at the cabinet.



Emergency shut-off switch

The Econoline Regulator and Gauge Assembly includes a connection to the emergency shut-off switch for additional safety and security.

## Air Line Filter

Mfg. Number	Port Size	Bowl Options	Elements
411119	3/4"	Polycarbonate Metal Bowl guard/twist drain	40 micron
411136	3/8"	Polycarbonate Auto Drain	40 micron
411151	1/2"	Polycarbonate Metal Bowl guard/twist drain	40 micron

Econoline strongly suggests that the operator have a water/air separator installed in front of the regulator to assure that no moisture enters the system. This ensures a clean, dry flow of air to your blast cabinet and promotes a consistent and even flow from your nozzle. Moisture may lead to clogging of the abrasive media. A unique deflector plate and shroud creates a swirling of the air stream and ensures maximum separation of dirt and water. The Air Line Filter is especially recommended for humid climates.



## Piggy Back Filter/Regulator

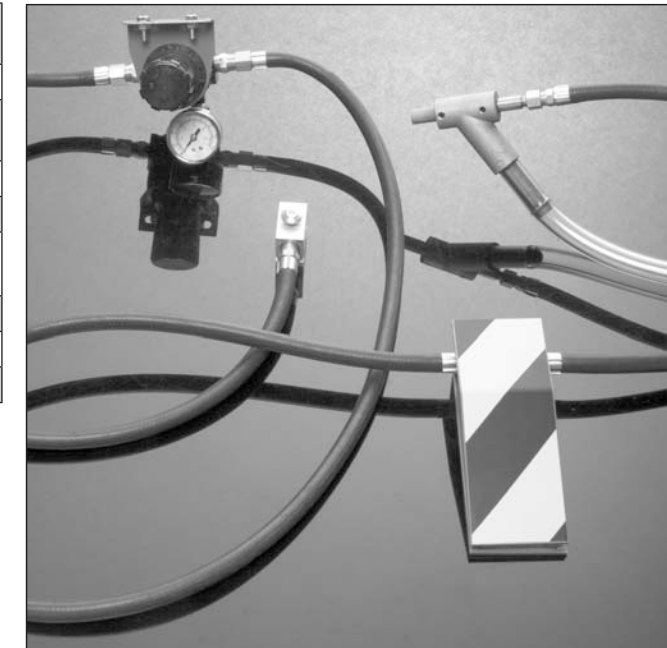
Mfg. Number	Specs
411133	3/8" for ESB-007
411145	1/2" for EC-90 R



## Media Delivery System

	Deluxe Plus (pictured)*	Deluxe	Basic Plus	Basic
Components Included:	101804-A	101803-A	101802-A	101801-A
12 CFM Tungsten Carbide Gun Assembly	X	X	X	X
Universal Siphon Tube	X	X	X	X
Hoses and connectors	X	X	X	X
Regulator and Gauge Kit	X	X	X	
Foot pedal	X	X		
Door Safety Switch	X			
Approx. Weight	12 lbs	12 lbs	10 lbs	6 lbs

Upgrade your blast cabinet with a smooth flowing Econoline Media Delivery System. The Basic Delivery System kit includes a 12 CFM Tungsten Carbide Assembly, a Universal Siphon Tube, and all hoses and connectors. The Deluxe Delivery System Kit includes all the items in the Basic Media Delivery Kit plus a Regulator and Gauge Kit. Foot pedal and Door Safety Switch options are also available for added functionality and safety.



## Universal Siphon Tube

Mfg. Number	Approx. Weight
201785	2 lbs

The Universal Siphon Tube is positioned in the bottom of a cabinet hopper and pulls media into the Media Hose, and thus into the nozzle. In siphon systems, this is how the media moves from the hopper to the hose. For more information, please refer to the diagram on page 9.



## Clear Abrasive Hose

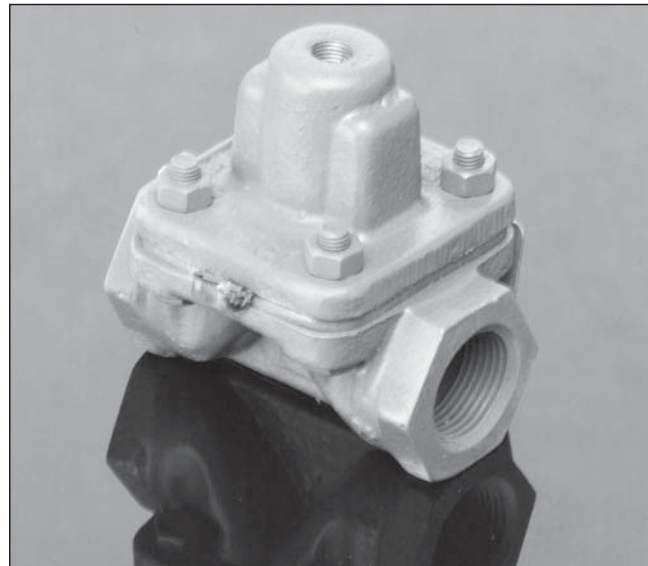
Mfg. Number	Approx. Weight
413403	1/4 lbs

The Clear Abrasive Hose connects the Universal Siphon Tube and the nozzle. This hose has 5/8" I.D. and is sold by the foot. For more information, please refer to the diagram on page 9.



## Media Valve

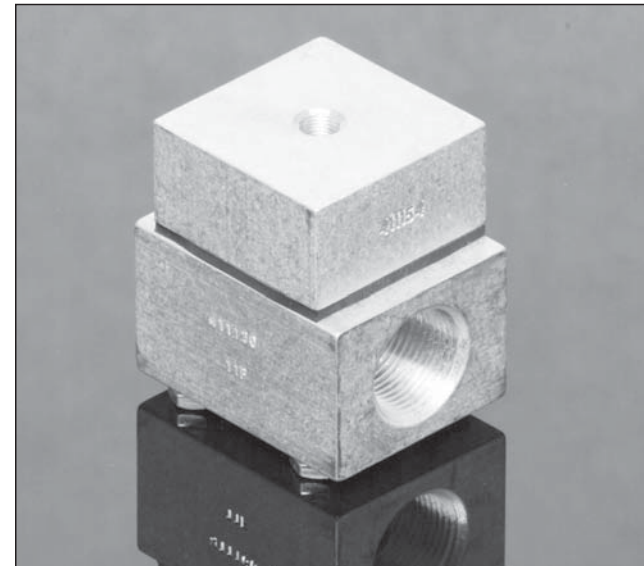
Mfg. Number	Approx. Weight
411128	2 lbs



Used on the EC-90 R, constructed of steel.

## HD Media Valve

Mfg. Number	Approx. Weight
411160	1 lb

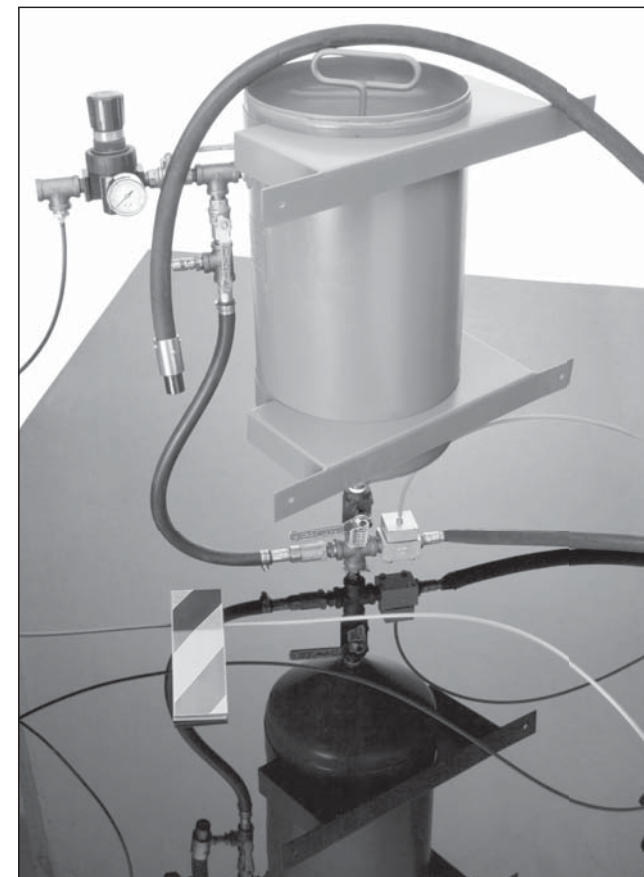


Used on the 36-1 DP, constructed of aluminum.

## Retrofit Kit

Mfg. Number	Approx. Weight
201962	81 lbs

The Econoline Retrofit Kit converts the 36-1 from a siphon system to a direct pressure system. The kit mounts to the outside of the cabinet and assembly is required.

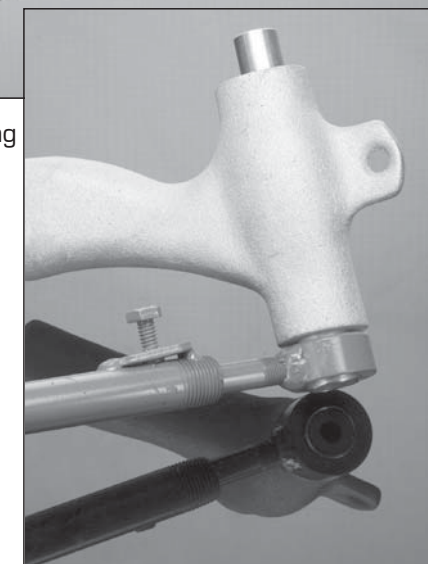


## Gun Mounting Bracket

Mfg. Number	Approx. Weight
101841-A	2 lbs



The Gun Mounting Bracket provides that 'extra hand' users need to hold projects, leaving both hands of the operator free to maneuver the work. Gun Mounting Brackets can be mounted on the wall or ceiling inside any Econoline blast cabinet. Blast Gun can be easily put in or removed from the bracket. Telescopic functionality is designed to provide easy length adjustment, from 7 3/4" to 12 3/4", with rotation of 360 degrees.



Bracket with gun in place



Steve Johnson, President, Monarch Powder Coating Muskegon, MI

### Customer Profile: Monarch Powder Coating

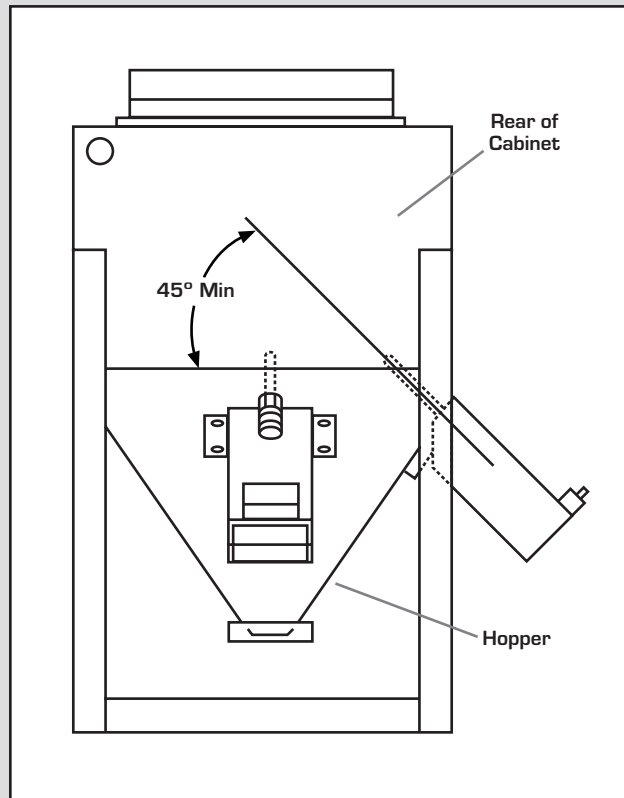
"We've had our Econoline 48-2 Blast Cabinet and a portable blast unit since purchasing Monarch Powder Coating 4 years ago. We use them for preparing parts for coating, cleaning rust or oils, and other surface needs. As a job shop with a batch type operation, everything we coat must be manually prepared, hand spray coated, and then oven cured. Our niche is lower volume parts and/or specialty items that will not fit on a conventional powder coat conveyor line.

With these units, we can quickly blast smaller parts, touch up where needed, change media quickly, and use glass bead abrasive without having to start-up our large blast room system.

We have enjoyed a good working relationship with Econoline and it's employees.

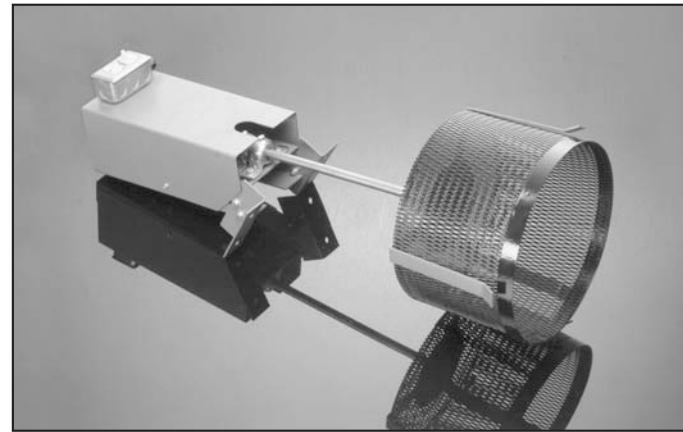
Everyone knows that time is money. These units are designed so that replacement and wear parts can be changed quickly and easily - which means less down time!"





## Automatic Tumble System

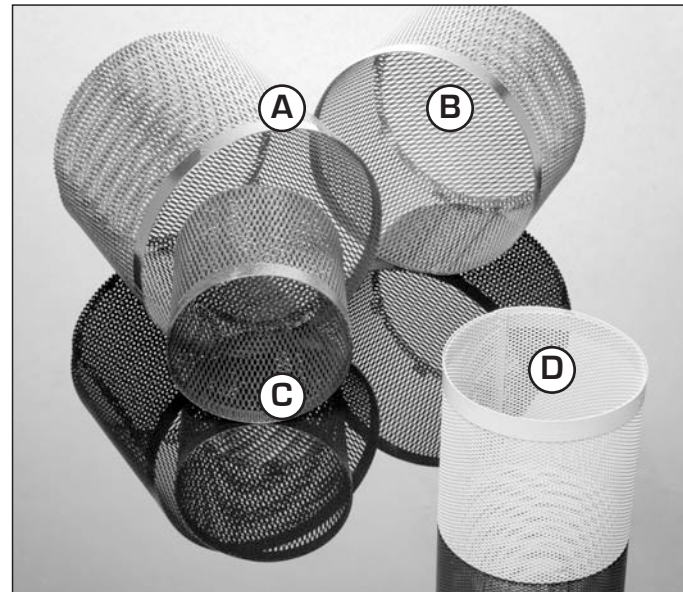
Mfg. Number	Approx. Weight	Description
101738-12	40 lbs	12" x 12" Automatic tumble basket assembly
101738-10	38 lbs	12" x 8" Automatic tumble basket assembly
101738-8	37 lbs	8" x 8" Automatic tumble basket assembly



12" x 8" Automatic tumble basket assembly

## Parts Baskets

	Height	Mfg. Number	Description
A	12"	101706-A	12" x 12" parts basket, PVC coated
B	10"	101705-A	12" x 8" parts basket, PVC coated
C	8"	101704-A	8" x 8" parts basket, PVC coated
D	8"	101704P-A	8" x 8", Perforated parts basket, not coated



## Automatic Tumble System Installation

The Tumble System from Econoline allows the operator to get complete coverage when blasting small objects. The system is also available with an optional timer system for "operator free" blasting.

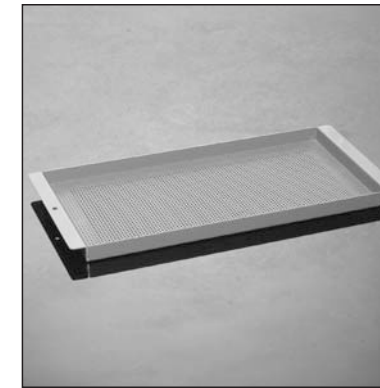
The unit may be mounted to the side, back or hopper of the blast cabinet. When choosing the location, make sure the basket and drive shaft may turn freely with no interference.

The hopper or cabinet must be modified to include the Automatic Tumble System Installation. Econoline's Tumble Baskets come in various sizes and all are PVC coated to ensure durability.

## Parts Tray

Size	Mfg. Number	Approx. Weight
16" x 8"	201211	3 lbs

The Econoline Parts Tray keeps small parts from falling through the cabinet work surface. Simply place the Parts Tray on the cabinet work surface and place small parts in the tray basket to work on them. Powder coated 14 gauge steel fabrication for a durable piece.



## Small Parts Basket

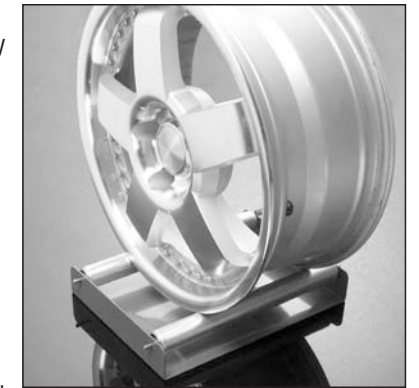
Size	Mfg. Number	Description
8" x 8"	201213	Small parts basket with handle. Not intended for use with Automatic Tumble System.



## Wheel Roller

Size	Mfg. Number	Approx. Weight
13.5" x 10"	201212	3 lbs

Install an Econoline Wheel Roller to easily rotate wheel rims inside your blast cabinet, just set the Wheel Roller on the work surface inside the blast cabinet and place the rim on rollers. Rotate rim as you blast to access all surfaces easily. Powder-coated 14-gauge steel fabrication with ball bearings provides a durable finish for this handy accessory.



## 26" & 20" Turntables

Height	Width	Mfg. Number	Approx. Weight
8"	20"	101721-66	50 lbs
8"	26"	101720-66	65 lbs

Econoline turntables are designed for use in the abrasive atmosphere of a blast cabinet. The 26" model is ideal for larger blast cabinet sizes. The hub contains sealed ball bearings, ensuring that all lubrication points are protected. The table plate is constructed of 7 gauge hot rolled steel with a weight capacity of 2000 lbs. Econoline can also recess and install a turntable in any cabinet that you have ordered. Please contact customer service for installation cost and lead time. Machines with power driven turntables are also available and can be quoted on request. 20" turntable not shown.

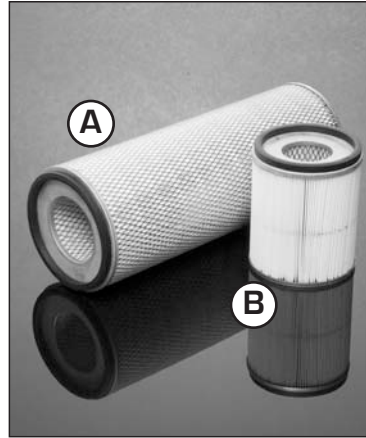




## Cartridge Filters

	Mfg. Number	Approx. Weight
A	495114	9 lbs
B	495171	4 lbs

The Econoline Cartridge Filter has been tested to be 99.9% efficient, filtering .5 microns. The Cartridge Filter is manufactured from cellulosic filter media with corrugation designed for dust collection applications requiring high collection efficiency and minimum air restriction. The cartridge style air filter is also easy to replace. Small filter fits 100 CFM Cartridge D/C and ESB 007. Large filter fits 400 and 600 CFM Cartridge D/C.



## Dust Collector Bag

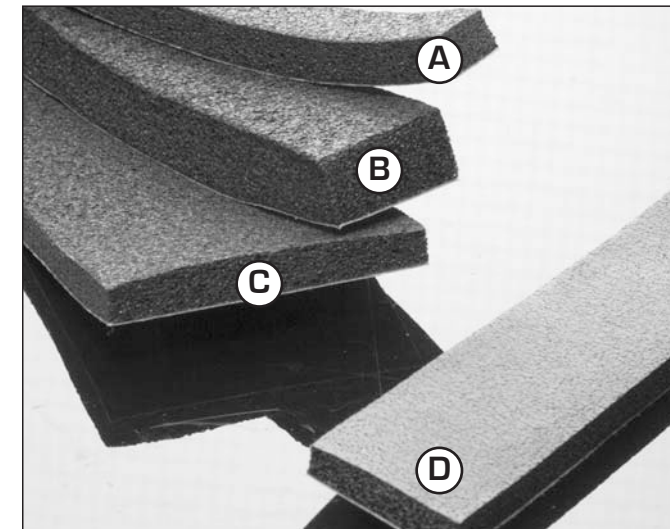
Mfg. Number	Approx. Weight
414436	2 lbs

The Dust Collector Bag from Econoline is made of dense poly-felt, which is rated at 10 microns (95% efficient). It's standard equipment on the 100 CFM Bag Dust Collector, as seen on page 12 and the 150 CFM D/C Whisper Vac. When the unit is powered off, the sewn-in weight at the bottom of the bag drops, shaking up the built up dust from the bag each time the collector motor is shut off.



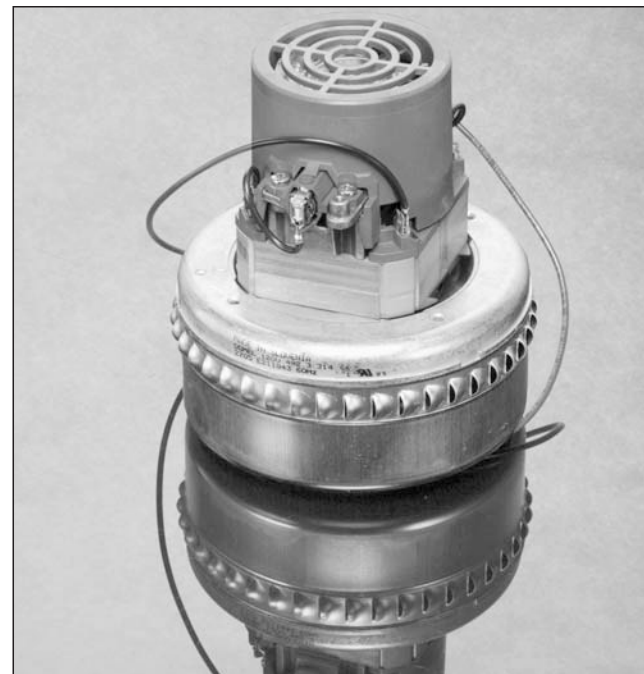
## Replacement Gaskets

	Mfg. Number	Description (Note: Gaskets are sold by the foot)
A	411401	Flipper door gasket 5/16" x 1/2"
B	411403	Window/Door Gasket 1/2" x 1"
C	411402	Arm port gasket 1/4" x 2"
D	411419	Dust Collector door gasket 1/4" x 1"



## 100 CFM D/C Motor

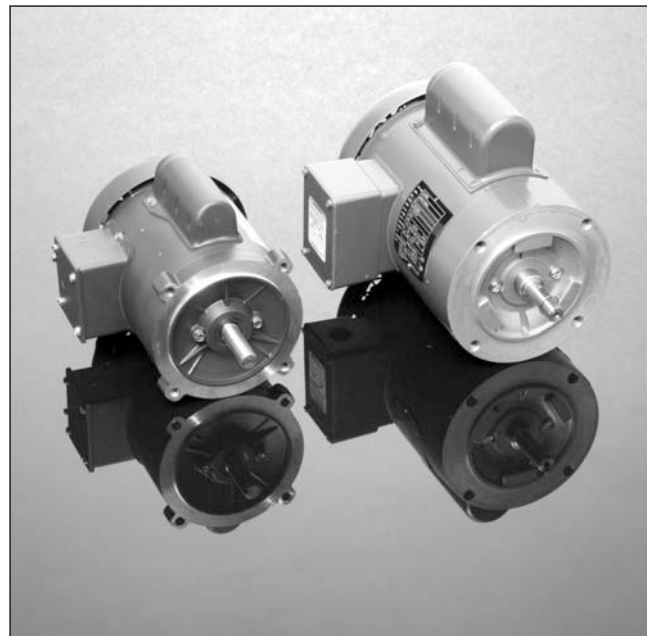
Mfg. Number	Approx. Weight
414414	5 lbs



Works with the 100 CFM Dust Collector, as seen on page 15.

## 1/2 & 1 HP Motors

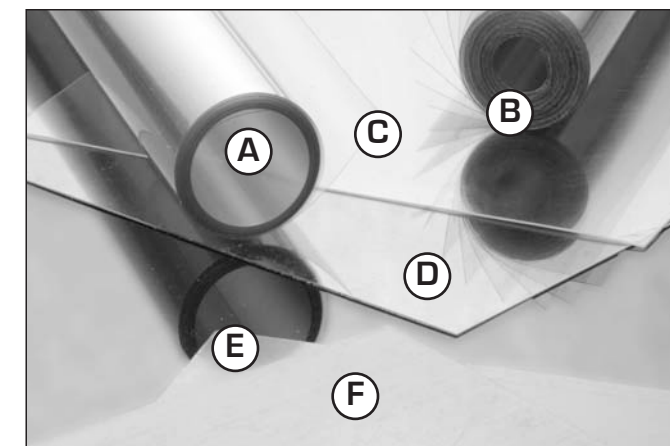
HP	Mfg. Number	Approx. Weight
1/2	414500	19 lbs
1	414501	36 lbs



1/2 HP fits 400 and 150 CFM Dust Collectors; 1 HP fits 600 CFM dust collectors

## Replacement Windows and Lamp Shields

	Mfg. Number	Description
A	311535	Window Underlayment Roll - 24" x 120"
B	313286	Window Underlayment 10 pack - 12" x 24"
C	411423	Lamp shield - 7" x 12"
D	411422	Lamp shield - 12" x 25"
E	411410	Window - 6" x 12"
F	411405	Window - 12" x 24"
Not Shown	411429	Window - 24" x 24"



## Light Box Assembly

Econoline light box assembly features are the result of listening to our customers to provide safer and more efficient lighting in our blast cabinets.

Our lights are located outside the work area and protected by a lamp shield. The placement of the light assembly eliminates the chance of accidental damage to both the bulbs and the light fixture and also reduces the chance of injury to the user or damage to the product. Spot lights located inside a cabinet can be easily broken when shifting product inside the cabinet.

Dual fluorescent bulbs featured in Econoline light box assemblies provide omni-directional lighting. Unlike the spot light bulb lighting systems used by many other manufacturers, fluorescent lights reduce shadows. Spot lights provide poor lighting by casting shadows, making it difficult to see what you are doing. Our dual fluorescent bulbs are positioned across the width of the cabinet and illuminate the cabinet more evenly and efficiently.

See page 6 for Window and Light Replacement information.





## Glove Replacement and Measurement

Replacement of gloves in Econoline blast cabinets is a very easy process that can be completed with a screwdriver or air tool in less than 10 minutes.

When you take the measurement of the arm ports, be sure to take the vertical diameter of the opening. This is particularly important for cabinets with oval-shaped holes, such as the WD 40 x 38 or the WD 36 x 30.

Econoline replacement gloves also fit most competitors' cabinets.

## Glove Clamps

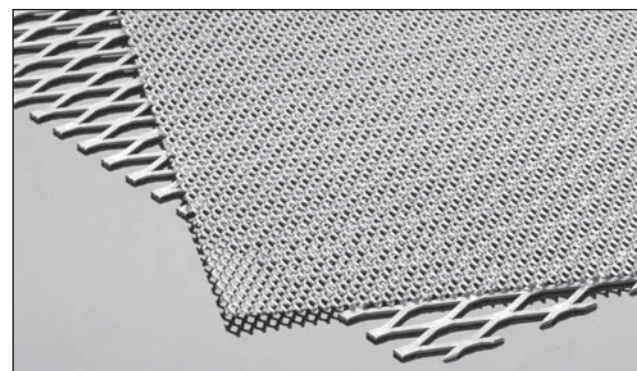
Mfg. Number	Armport Diameter
414510-2	6"
414511-2	7"
414512-2	8"
414513-2	9"



Glove clamps sold in pairs.

## Work Surface

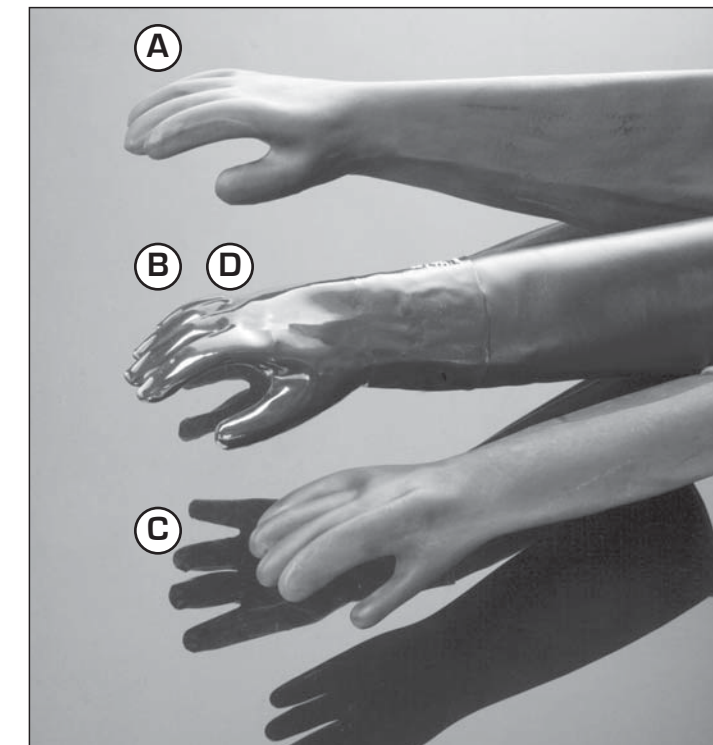
Carbon Screen Mfg. #	Approximate Dimensions	Expanded Metal Mfg. #
311137	16" x 16"	201346
311134	24" x 24"	201342
311131	30" x 24"	201344
311135	36" x 24"	201345
311140	40" x 40"	201337
311136	42" x 24"	201338
311141	48" x 24"	201347
311138	40" x 38"	202692
311139	48" x 48"	201340
203475-A	60" x 48"	201358



## Replacement Gloves

	Mfg. Number	Description
A	412402	Gloves 24" x 6" Seamless Rubber Pair for DP units
B	412007	Gloves 33" x 7" Pair for 40 x 40 and up
C	412001	Gloves 18" x 5" Pair for Mini Bench only
D	412002	Gloves 24" x 6" Pair for 24-0 through 48-2

Econoline's gloves are designed to withstand the harsh environment within a blast cabinet. Gauntlet-style gloves are manufactured of reinforced neoprene and vinyl, with a cotton lining. Econoline also offers natural rubber gloves, which are comfortable and aid in eliminating static shock as well as providing superior flexibility and feel. Gloves are available in seamless and/or cotton lined models where indicated. All Econoline gloves provide excellent durability and functionality.



Mfg. Number	Size (Length/Armport)	Description
412001	18" X 5"	Pair; Seamless Rubber
412402	24" X 6"	Pair; Seamless Rubber - Cotton Lined
412402-L	24" X 6"	Left; Seamless Rubber - Cotton Lined
412402R	24" X 6"	Right; Seamless Rubber - Cotton Lined
412002	24" X 6"	Pair; Neoprene/Vinyl - Lined
412003L	24" X 6"	Left; Neoprene/Vinyl - Lined
412003R	24" X 6"	Right; Neoprene/Vinyl - Lined
412004	24" X 7"	Pair; Neoprene/Vinyl - Lined
412019L	24" X 7"	Left; Neoprene/Vinyl - Lined
412019R	24" X 7"	Right; Neoprene/Vinyl - Lined
412007	33" X 7"	Pair; Neoprene/Vinyl - Lined
412008L	33" X 7"	Left; Neoprene/Vinyl - Lined
412008R	33" X 7"	Right; Neoprene/Vinyl - Lined
412005	24" X 8"	Pair; Neoprene/Vinyl - Lined
412020R	24" X 8"	Right; Neoprene/Vinyl - Lined
412020L	24" X 8"	Left; Neoprene/Vinyl - Lined
412009	33" X 8"	Pair; Neoprene/Vinyl - Lined
412010R	33" X 8"	Right; Neoprene/Vinyl - Lined
412010L	33" X 8"	Left; Neoprene/Vinyl - Lined
412403	32" X 9"	Pair; Seamless Rubber - Cotton Lined
412403R	32" X 9"	Right; Seamless Rubber - Cotton Lined
412403L	32" X 9"	Left; Seamless Rubber - Cotton Lined
412011	33" X 9"	Pair; Neoprene/Vinyl - Lined
412012R	33" X 9"	Right; Neoprene/Vinyl - Lined
412012L	33" X 9"	Left; Neoprene/Vinyl - Lined